

MENIOTA

NORTH AMERICA'S LUXURY FIREPLACE Installation and Operating Instructions

MODEL NO. AA-11-00398 D30 DIRECT VENT GAS FIREPLACE INSERT HEATER

INSTALLER: Leave this manual with the appliance
CONSUMER: Retain this manual for future reference

INSTALLATEUR : Laissez ce manuel avec l'appareil
CONSOMMATEUR : Conservez ce manuel pour référence future

⚠ WARNING:
FIRE OR EXPLOSION HAZARD

Failure to follow safety warnings exactly could result in serious injury, death, or property damage.

⚠ AVERTISSEMENT:

RISQUE D'INCENDIE OU D'EXPLOSION

Le non-respect des avertissements de sécurité à la lettre peut entraîner des blessures graves, la mort ou des dommages matériels.

- Do not store or use gasoline or other flammable vapors and liquids in the vicinity of this or any other appliance.

- WHAT TO DO IF YOU SMELL GAS

- Do not try to light any appliance.
- Do not touch any electrical switch; do not use any phone in your building.
- Immediately call your gas supplier from a neighbor's phone. Follow the gas supplier's instructions.
- If you cannot reach your gas supplier, call the fire department.

- Installation and service must be performed by a qualified installer, service agency or the gas supplier.

Ne pas entreposer ni utiliser d'essence ni d'autres vapeurs ou liquides inflammables dans le voisinage de cet appareil ou de tout autre appareil.

- QUE FAIRE SI VOUS SENTEZ UNE ODEUR DE GAZ:

- Ne pas tenter d'allumer d'appareil.
- Ne touchez à aucun interrupteur. Ne pas vous servir des téléphones se trouvant dans le bâtiment où vous trouvez.
- Appelez immédiatement votre fournisseur de gaz depuis un voisin. Suivez les instructions du fournisseur.
- Si vous ne pouvez rejoindre le fournisseur de gaz, appelez le service des incendies.

- L'installation et l'entretien doivent être assurés par un installateur ou un service d'entretien qualifié ou par le fournisseur de gaz.

This appliance may be installed in an aftermarket, permanently located, manufactured home (USA only) or mobile home, where not prohibited by local codes.

This appliance is only for use with the type of gas indicated on the rating plate. This appliance is not convertible for use with other gasses, unless a certified kit is used.


Cet appareil peut être installé dans une maison préfabriquée (É.-U. seulement) ou mobile déjà installée à demeure si les règlements locaux le permettent.

Cet appareil doit être utilisé uniquement avec les types de gaz indiqués sur la plaque signalétique. Une trousse de conversion est fournie avec cet appareil.

A barrier designed to reduce the risk of burns from the hot viewing glass is provided with this appliance and must be installed.

Une barrière conçue pour réduire le risque de brûlures du verre chaud est fournie avec cet appareil et doit être installée.

⚠ DANGER



HOT GLASS WILL CAUSE BURNS.
DO NOT TOUCH GLASS UNTIL COOLED.
NEVER ALLOW CHILDREN TO TOUCH GLASS.

A barrier designed to reduce the risk of burns from the hot viewing glass is provided with this appliance and must be installed for the protection of children and other at-risk individuals.

⚠ DANGER



VITRE CHAUDE – RISQUE DE BRÛLURES.
NE TOUCHEZ PAS UNE VITRE NON REFROIDIE.
NE LAISSEZ JAMAIS UN ENFANT TOUCHER LA VITRE.

L'écran pare-étincelles fourni avec ce foyer réduit le risque de brûlure en cas de contact accidentel avec la vitre chaude et doit être installé pour la protection des enfants et des personnes à risques.

1 READ ME FIRST

1.1 INITIAL FIRING AND CURING PROCEDURE

This product requires an initial heat curing cycle during which some materials used in the manufacturing process will burn off and the powder paint goes through a hardening cycle. During the initial curing phase, some smoke and odor will be emitted. This is normal.

The installer should perform these initial curing cycle procedures as the final step in the installation process before finishing materials are installed around this fireplace insert. See chapter [Mendota Fireplace insert Curing Instructions](#). Read and follow all instructions given in this Chapter and perform the 3-step curing cycle.

After the 3-step curing cycle has been completed, all smoking will have stopped. Some slight odors may remain. With subsequent use of this Fireplace insert, odors will slowly dissipate and disappear.

ODOR RISKS

If this appliance is not operated for an extended period (three months or longer), when first fired again, expect odors of burnt dust and lint; just like when turning on your home heating system for the first time in the Fall.

1.2 HOT SURFACES ARE NORMAL

Be aware that the surface in front of, above and adjacent to this heater appliance can be too hot to touch. As long as all required clearances to combustibles are met and the required finishing materials are used, this appliance will perform safely.

Note that the exposed surfaces immediately surrounding the Fireplace insert can have surface temperatures that are too hot to touch. This level of surface temperature is considered normal and does not indicate any hazardous situation.

WARNING: The supplied barrier screen must be installed, always, when this fireplace insert is in operation. Do not place any object directly in front (within 60") or directly above (on the front edge of the mantel). This is a heating appliance. Areas directly in front and above this appliance will be very hot and can damage most household objects if placed too close. Keep Furniture pieces at least 60" away in front of the barrier screen.

1.3 PERIODIC AND ANNUAL CLEANING ARE REQUIRED

See [Required Periodic Inspections](#) and [Required Annual Maintenance](#). Periodic and Annual cleaning and general services are required at least once a year in the Summer or early Fall. Cleaning pilot sparker rod and pilot hood body is required at least once per year. Cleaning of burner ports, gas orifice areas is required once a year due to insects' nesting probability due to Mercaptan addition in Natural Gas (Mercaptan attracts insects).

Table of Contents

1	READ ME FIRST.....	2		
1.1	INITIAL FIRING AND CURING PROCEDURE.....	2		
1.2	HOT SURFACES ARE NORMAL	2		
1.3	PERIODIC AND ANNUAL CLEANING ARE REQUIRED	2		
2	GENERAL INFORMATION	5		
2.1	SAFETY AND WARNING INFORMATION	5		
2.1.1	Building Permit & Inspection Requirements.....	5		
2.1.2	Other Cautions.....	5		
2.2	SAFETY WARNINGS.....	6		
2.2.1	Safety Standards and Warnings.....	7		
2.2.2	Requirements for The Commonwealth of Mass.....	9		
3	TECHNICAL REFERENCES	10		
3.1	GENERAL TECHNICAL REFERENCES.....	10		
3.1.1	Mendota Fireplace insert Curing Instructions	11		
3.1.1.1	Step 1: Expelling Initial Smoke and Odors	11		
3.1.1.2	Step 2: High Heat Curing Cycle	11		
3.1.1.3	Step 3: Final Curing Cycle.....	11		
3.1.1.4	Additional Curing Information.....	11		
3.2	MECHANICAL TECHNICAL REFERENCES.....	12		
3.2.1	Install Only in Woodburning fireplace inserts	12		
3.2.2	Install Only in Woodburning fireplace inserts	13		
3.2.3	Other Warning and Caution Labels.....	14		
3.2.4	D30 DEEP TIMBER Fireplace insert Ratings Information.....	16		
3.2.5	Normal Surface Temperatures	17		
3.2.5.1	Hearth Pad Temperatures	17		
3.2.5.2	Surround Face Temperatures	17		
3.2.5.3	Mantel Temperatures.....	17		
3.2.6	Fireplace insert Features	18		
3.2.6.1	Overall Insert Dimensions.....	19		
3.2.1	Reduction of Clearance to combustible mantels.....	19		
3.2.2	Hearth Pad Requirement	20		
3.2.2.1	Hearth Pad Materials.....	21		
3.2.3	Re-facing a Woodburning Fireplace.....	22		
3.2.4	Suitable Mantel, Facing & Hearth Pad Materials.....	23		
3.2.4.1	R-Values of Common Finishing Materials.....	23		
3.2.4.2	Smooth Wall	23		
3.2.4.3	Ceramic or Porcelain Tile	24		
3.2.4.4	Marble, Granite and Natural Stones.....	24		
3.2.4.5	Suitable Paints and Sealant Materials	25		
3.2.4.5.1	Paint Types Approved for Use.....	25		
3.2.4.5.2	Sealants Type Approved for Use.....	25		
3.2.4.5.3	Wood Application Cautions	25		
3.2.5	Recommendations for Television Installation	26		
3.2.5.1	Recommendation 1: Add a mantel.....	26		
3.2.5.2	Recommendation 2: Create a recessed cavity	27		
3.2.6	Venting	28		
3.2.6.1	Maximum and Minimum Vent Lengths.....	28		
3.2.6.2	Run Liners to Vent Cap	28		
3.2.6.3	Air Intake Liner Stubbing	28		
3.2.6.4	MENDOTA RECOMMENDED VENT COMPONENTS AND VENT KITS LIST	28		
3.2.6.5	Fireplace insert and Chimney Cleaning Requirements	29		
3.2.6.6	Types of Chimney Flues.....	29		
3.2.6.7	Types of Chimney Tops and Vent Caps.....	30		
3.2.6.8	Side by Side installation of two Vent Caps	31		
3.3	ELECTRICAL TECHNICAL REFERENCES	32		
3.3.1	AC Power Requirements.....	32		
3.3.1.1	AC Power Connection Option.....	32		
3.3.2	OPERATING DURING POWER OUTAGES	33		
3.3.3	Wall Thermostat System Diagram	33		
3.3.4	Blower System Wiring Diagram.....	34		
3.4	PLUMBING TECHNICAL REFERENCES	35		
3.4.1	Gas Supply Requirements.....	35		
3.4.2	Gas Supply Line Sizing.....	35		
3.4.3	Gas Pressure Requirements and Checking	36		
3.4.4	Drip Leg Recommended	36		
3.4.5	Manual Gas Shutoff Valve Requirement	36		
3.4.6	Factory Installed Manual Gas Shutoff Valve.....	37		
3.4.7	How to Run Gas Line to Insert Location	37		
3.4.8	Gas Inlet Fittings Information.....	37		
3.4.9	Gas Input Rate Verification.....	38		
3.4.9.1	Natural Gas Input Rate Verification	38		
3.4.9.2	LPG Input Rate Verification	38		
3.4.10	High Altitude De-Rating.....	38		
4	INSTALLATION INSTRUCTIONS	39		
4.1	INSTALLATION CHECKLIST	39		
4.2	PREPARING FOR INSTALLATION.....	40		
4.2.1	Unpacking the Fireplace insert.....	40		
4.2.2	Contents of the Manual Packet.....	41		
4.2.3	What is included with this Appliance?	41		
4.2.4	What is not included with this Appliance?.....	41		
4.2.5	Unbolting Fireplace Insert from Pallet	41		
4.3	LEVELING BOLTS	42		
4.3.1	Leveling Bolts Definition.....	42		
4.3.2	Leveling Bolts Installation.....	42		
4.4	HOW TO REMOVE DOOR.....	43		
4.5	HOW TO REPLACE DOOR.....	43		
4.6	NATURAL GAS TO LPG CONVERSION.....	44		

4.6.1	Procedure to Convert Fireplace insert for LP Gas...	44	6.6	BURNER FLAME HEIGHTS REFERENCE DIAGRAM.....	66
4.6.2	Burner Ignition Characteristics	45	6.7	REPLACEMENT PARTS INFORMATION	67
4.6.3	Pilot Flame and Burner Relationship Verification...	45	6.7.1	How to Access Components	67
4.7	VENTING.....	46	6.7.2	General Replacement Parts List	67
4.7.1	Dropping Flex Vent Liners.....	47	6.7.3	Convection Air Blower System Parts	68
4.7.2	Sock Gasket Installation.....	48	6.7.4	Valve Assembly Replacement Parts	68
4.7.3	Vent Adapter Installation Instructions.....	49	6.7.5	Glass Frame Parts Replacement Procedure	69
4.7.4	Available Vent System Types	50	7	WARRANTY QUALIFICATION AND SERVICE.....	70
4.7.5	Attaching Flue Liners to Vent Cap.....	51	7.1	FINAL INSTALLATION AND HOMEOWNER CHECKLIST	
4.7.6	Sealing the vent cap base plate or flashing to the Chimney Top	51		71
4.7.7	Attaching Flue Liners to Unit Top Vent Adapter.....	52	7.2	WARRANTY POLICY STATEMENT	72
4.8	ATTACHING WARNING LABEL TO ZC WOODBURNING FIREPLACE INSERT FLOOR	52	7.2.1	Conditions.....	73
4.9	INSERT BODY INSTALLATION	53	7.2.2	Exclusions	73
4.10	SURROUND/FACEPLATE INSTALLATION	53	7.2.3	Limitations of Liability	74
4.11	LOG SET INSTALLATION INSTRUCTIONS.....	53	7.2.4	How to Obtain Warranty Service.....	74
4.12	LIGHTING CHECKLIST	58			
4.13	AIR SHUTTER CONTROL AND FLAME APPEARANCE	58			
5	HOMEOWNER INFORMATION	59			
5.1	AESTHETIC CONSIDERATIONS.....	59			
5.2	HEATING PERFORMANCE	59			
5.3	IMPORTANT INFORMATION FOR HOMEOWNER	59			
5.4	FIRST TIME LIGHTING INSTRUCTIONS	60			
5.4.1	Safety Information.....	60			
5.4.2	LIGHTING INSTRUCTIONS	60			
5.5	TO TURN OFF GAS TO FIREPLACE INSERT	61			
5.5.1	What to do if I smell gas?	61			
5.5.2	Where can I find the model and serial numbers?...62				
5.5.3	Can I use my Fireplace during power outages?	63			
5.5.4	What maintenance is required?	63			
5.5.4.1	Required Annual Maintenance.....	63			
5.5.4.2	Periodic Inspection	63			
5.5.5	How do I clean the viewing glass?	63			
5.5.6	Is my flame performance correct?.....	63			
5.5.7	What should I do if my fireplace insert is sooting?.....	64			
5.5.8	What happens when I first light my fireplace?	64			
6	MAINTENANCE INFORMATION	65			
6.1	REQUIRED PERIODIC INSPECTIONS.....	65			
6.2	CLEANING VIEWING GLASS	65			
6.3	REQUIRED ANNUAL MAINTENANCE.....	65			
6.4	OVER FIRING OR UNDER FIRING OF BURNER	66			
6.5	PILOT OUTAGE AND RE-LIGHTING	66			

2 GENERAL INFORMATION

2.1 SAFETY AND WARNING INFORMATION

2.1.1 Building Permit & Inspection Requirements

All installations of Mendota Fireplace inserts must comply with all the requirements stated in this Installation and Operating Manual. The dealer and/or installer must obtain all required building permits and inspection approvals from the local building inspection department or the local jurisdiction. To validate warranty coverage, Mendota may require facsimile copies of the building permit and inspection approval forms. Failure to provide adequate proof that the installation conforms to all local requirements and the requirements stated in the Installation and User Manual will void all applicable warranties.

2.1.2 Other Cautions

This fireplace is not intended for outdoor installation. The fireplace must be installed where it is fully protected from all precipitation, excessive moisture, and the ambient temperature remains between 32°F to 110°F. Failure to install the fireplace in an area that meets these requirements will void all applicable warranties.

CAUTION: Each installation must conform to all local, state and national codes. Refer to the national fuel gas code and local zoning and code authorities for details on installation requirements. The Mendota Fireplace must be vented to the outside in accordance with the latest edition of the National Fuel Gas Code. In the absence of local codes, the installation must conform to the most current edition of the National Fuel Gas Code ANSI Z223.1/NFPA 54 or the Natural Gas and Propane Installation Code, CSA B149.1

CAUTION: The Mendota Fireplace insert may be installed in a manufactured (mobile) home after the first sale of the home. Manufactured home (mobile home) installation must conform with the Manufactured Home Construction and Safety Standard, Title 24 CFR, Part 3280, or, when such a standard is not applicable, the Standard for Manufactured Home Installations, ANSI A225.1/NFPA 501A, or CSA Z240.4-Gas Equipped Mobile Housing. Consult your local building official. NOTE: For mobile home installations, unit must be bolted to the Manufactured home floor and properly grounded.



INSTALLER: Leave this manual with the appliance. **CONSUMER:** Retain this manual for future reference.

INSTALLATEUR : Laissez cette notice avec l'appareil. **CONSOMMATEUR :** Conservez cette notice pour consultation ultérieure.

2.2 SAFETY WARNINGS

HIGH-ALTITUDE INSTALLATION INFORMATION: Prior to installing at altitudes higher than 7,500 ft., understand the need for gas input derating. Contact your local gas company to see if your gas type is already derated for your altitude or contact Mendota Technical Service for support.

INSTALLER NOTE: These instructions are to remain with homeowner.

Be sure to read and understand all instructions carefully before starting the fireplace insert. Failure to follow these instructions may result in a possible fire hazard leading to property loss, injury or even death and will void all warranty.

FOR YOUR SAFETY: A qualified installer, service agency, or the gas supplier must perform installation and service.

Do not store or use gasoline or other flammable vapors and liquids in the vicinity of this or any other appliance.

WARNING: Do not operate this appliance with the glass removed, cracked, or broken. A licensed or qualified person should do replacement of glass.

AVERTISSEMENT: Ne pas utiliser l'appareil si le panneau frontal en verre n'est pas en place, est craqué ou brisé. Confiez le remplacement du panneau à un technicien agréé.

WARNING: Mendota gas fireplace inserts are heat producing appliances. Do not burn wood, paper or other materials in this fireplace insert. This fireplace insert is designed as a supplemental heat source. It is advisable to have an alternative primary heat supply.

In the Commonwealth of Massachusetts:

Installation must be performed by a licensed plumber or gas fitter; a CO detector shall be installed in the room where the appliance is installed.

WARNING: Improper installation, adjustment, alteration, service, or maintenance can cause injury or property damage. Refer to this manual. For assistance or additional information consult a qualified installer, service agency or the gas supplier.

This appliance may be installed in an aftermarket, permanently located, manufactured (mobile) home (USA Only), where not prohibited by local codes. This appliance is only for use with the type(s) of gas indicated on the rating plate. This appliance is not convertible for use with other gases unless a certified conversion kit is used.

Cet appareil peut être installé dans un maison préfabriquée (mobile) déjà installée à demeure si les règlements locaux le permettent.

Cet appareil doit être utilisé uniquement avec les types de gas indiqués sur la plaque signalétique. Ne pas l'utiliser avec d'autres gas sauf si un kit de conversion certifié est installé.

2.2.1 Safety Standards and Warnings

Do not operate this appliance with the glass removed, cracked or broken. Only glass doors certified with this appliance shall be used.

A barrier designed to reduce the risk of burns from the hot viewing glass is provided with this appliance and must be installed. If the barrier becomes damaged, the barrier shall be replaced with the manufacturer's barrier for this appliance.

Any Barrier Screen or guard removed for servicing must be replaced before operating fireplace insert.

Tout écran ou protecteur retiré pour permettre l'entretien de l'appareil doit être remis en place avant de mettre l'appareil en marche.

This unit is not for use with solid fuel.

Ne pas utiliser avec du combustible solide.

Installation and repair should be **performed** by a qualified service person. The fireplace insert and venting system should be **inspected** before initial use and at least annually by a professional service person. More frequent cleaning may be required due to excessive lint from carpeting, bedding, material, etc. It is imperative that the unit's control compartment, burners and circulating air passageways are **kept clean** to provide for adequate combustion and ventilation air.

L'installation et la réparation devrait être confiées à un technicien qualifié. L'appareil devrait faire l'objet d'une inspection par un technicien professionnel avant d'être utilisé et au moins une fois l'an par la suite. Des nettoyages plus fréquents peuvent être nécessaires si les tapis, la literie, et cetera produisent une quantité importante de poussière. Il est essentiel que les compartiments abritant les commandes, les brûleurs et les conduits de circulation d'air de l'appareil soient tenus propres.

Always keep the fireplace insert clear and free from combustible materials, gasoline, and other flammable vapors and liquids.

Never obstruct the flow of combustion and ventilation air. Keep the front of the fireplace insert clear of all obstacles and materials for servicing and proper operation. Use only Mendota approved Screens, Fronts and Trim Kits.

Due to high temperature, the fireplace insert **should be located out of traffic areas** and away from furniture and draperies. En raison des températures élevées, l'appareil devrait être installé dans un endroit où il y a peu de circulation et loin du mobilier et des tentures.

Clothing or flammable material should not be placed on or near the fireplace insert.

On ne devrait pas placer de vêtements ni d'autres matières inflammables sur l'appareil ni à proximité.

Children and adults should be **alerted** to the hazards of high surface temperature and should **stay away** to avoid burns or clothing ignition. The door glass, surrounding walls and objects can be too hot to touch.

Les enfants et les adultes devraient être informés des dangers que posent les températures de surface élevées et se tenir à distance afin d'éviter des brûlures ou que leurs vêtements ne s'enflamment.

Young children should be **carefully supervised** when they are in the same room as the fireplace insert. Toddlers, young children, and others may be susceptible to accidental contact burns. A physical barrier is recommended if there are at risk individuals in the house. To restrict access to a fireplace insert or stove, install an adjustable safety gate to keep toddlers, young children, and other at-risk individuals out of the room and away from hot surfaces. This physical barrier is in addition to the required glass barrier Screen.

Les jeunes enfants devraient être surveillés étroitement lorsqu'ils se trouvent dans la même pièce que l'appareil. Les tout petits, les jeunes enfants ou les adultes peuvent subir des brûlures s'ils viennent en contact avec la surface chaude. Il est recommandé d'installer une barrière physique si des personnes à risques habitent la maison. Pour empêcher l'accès à un foyer ou à un poêle, installez une barrière de sécurité; cette mesure empêchera les tout petits, les jeunes enfants et toute autre personne à risque d'avoir accès à la pièce et aux surfaces chaudes.

These units **must** use one of the vent systems described in the Flue Venting section of this manual.

This gas fireplace insert, and vent system **must** be vented directly to the outside and **must never** be attached to a chimney serving a separate solid fuel-burning fireplace insert. Each gas fireplace insert **must use** a separate vent system. Common vent systems are **prohibited**.

The vent system for this fireplace insert must be periodically examined by a qualified service agency to maintain venting performance and safety. If the vent-air intake system is disassembled for any reason, reinstall per the instructions provided for the initial installation.

Inspect the external vent cap on regular basis (monthly) to make sure that no debris is interfering with the airflow. The flow of combustion and ventilation air are not to be obstructed.

Do not abuse the glass door assembly by striking the glass, slamming the door shut, etc.

Use only authorized parts and materials obtained from Mendota Hearth when replacing defective or damaged glass, log sets, media, firebox inner liners or trim kits.

Do not use abrasive cleaners on the glass door assembly. Do not attempt to clean the glass door when it is hot. Use Mendota recommended cleaner, KelKem.

Turn off the gas before servicing this fireplace insert. It is recommended that a qualified service technician perform a fireplace insert check-up at the beginning of each heating season.

Do not place furniture or any other combustible household objects within 60" of the fireplace insert front, per fire safety code.

This vented gas fireplace insert heater is not for use with air filters.

Foyer au gaz à évacuation. - Ne pas utiliser avec du combustible solide.

Keep burner and control compartment clean. See installation and operating instructions accompanying fireplace insert.

S'assurer que le brûleur et le compartiment des commandes sont propres. Voir les instructions d'installation et d'utilisation qui accompagnent l'appareil.

WARNING: Improper installation, adjustment, alteration, service, or maintenance can cause injury or property damage. Refer to the owner's information manual provided with this fireplace insert. For assistance or additional information consult a qualified installer, service agency or the gas supplier.

L'AVERTISSEMENT: L'installation inconvenante, ajustement, modification, service ou entretien peut causer le dommages de propriété ou blessure. Référer au manuel d'information de propriétaire fourni cet appareil. Pour l'assistance ou information supplémentaire consulte un qualifiée installateur, agence de service ou le fournisseur de gaz.

Do not use this fireplace insert if any part has been under water. Immediately call a qualified service technician to inspect the fireplace insert and to replace any part of the control system and any gas control, which has been underwater.

Ne pas utiliser cet appareil s'il a été plongé, même partiellement, dans l'eau. Appeler un technicien qualifié pour inspecter l'appareil et remplacer toute partie du système de commande et toute commande qui a été plongée dans l'eau.

Do not use any fronts or doors with this fireplace insert unless they are certified by Mendota and installed by a certified installer.

Seules des portes certifiées pour cet appareil doivent être utilisées.

2.2.2 Requirements for The Commonwealth of Mass.

The information in this section applies to all installations performed in the Common Wealth of Massachusetts only.

- a. For all side wall, horizontally vented gas fueled equipment installed in every dwelling, building or structure used in whole or in part for residential purposes and where the side wall exhaust vent termination is less than seven (7) feet above grade, the following requirements shall be satisfied:
 1. If there is no carbon monoxide detector with an alarm already installed in compliance with the most current edition of NFPA 720, NFPA 70 and the Massachusetts State Building code in the residential unit served by the side wall horizontally vented gas fueled equipment, a battery-operated carbon monoxide detector with an alarm shall be installed in compliance with the most current edition of NFPA 720, NFPA 70 and the Massachusetts State Building Code.
 2. In addition to the above requirements, if there is not one already present, a carbon monoxide detector with an alarm and a battery backup shall be installed and located in accordance with the installation requirements supplied with the detector on the floor level where the gas equipment is installed. The carbon monoxide detector with an alarm shall comply with 527 CMR, ANSI/UL 2034 Standards or CSA 6.19 and the most current edition of NFPA 720. In the event that the requirements of this subdivision cannot be met at the time of the completion of the installation of the equipment, the installer shall have a period of thirty (30) days to comply with this requirement; provided, however, that during said thirty (30) day period, a battery-operated carbon monoxide detector with an alarm shall be installed in compliance with the most current edition of NFPA 720, NFPA 70 and the Massachusetts State Building Code. In the event that the horizontally vented gas fueled equipment is installed in a crawl space or an attic, the carbon monoxide detector may be installed on the next adjacent habitable floor level. Such detector may be a battery-operated carbon monoxide detector with an alarm and shall be installed in compliance with the most current edition of NFPA 720, NFPA 70 and the Massachusetts State Building Code.
 3. A metal or plastic identification plate shall be permanently mounted to the exterior of the building at a minimum height of eight (8) feet above grade directly in line with the exhaust vent terminal for the horizontally vented gas fueled heating appliance or equipment. The sign shall read, in print size no less than one-half (1/2)" in size, "GAS VENT DIRECTLY BELOW, KEEP CLEAR OF ALL OBSTRUCTIONS"
 4. A final inspection by the state or local gas inspector of the side wall horizontally vented equipment shall not be performed until proof is provided that the state or local electrical inspector having jurisdiction has granted a permit for installation of carbon monoxide detectors and alarms as required above.
- b. EXEMPTIONS: The following equipment is exempt from 248 CMR 5.08(2) (a) 1 through 4:
 1. The equipment listed in Chapter 10 entitled "Equipment Not Required to Be Vented" in the most current edition of NFPA 54 as adopted by the Board; and
 2. Product Approved side wall horizontally vented gas fueled equipment installed in a room or structure separate from the dwelling, building or structure used in whole or in part for residential purposes.
- c. When the manufacturer of Product Approved side wall horizontally vented gas equipment provides a venting system design or venting system components with the equipment, the instructions for installation of the equipment and the venting system shall include:
 1. A complete parts list for the venting system design or venting system; and
 2. Detailed instructions for the installation of the venting system design or the venting system components.
- d. When the manufacturer of a Product Approved side wall horizontally vented gas fueled equipment does not provide the parts for venting the flue gases, but identifies "special venting systems", the following shall be satisfied:
 1. The referenced "special venting system" instructions shall be included with the appliance or equipment installation instructions; and
 2. The "special venting systems" shall be Product Approved by the Board, and the instructions for that system shall include a parts list and detailed installation instructions.
- e. A copy of all installation instructions for all Product Approved side wall horizontally vented gas fueled equipment, all venting instructions, all parts lists for venting instructions, and/or all venting design instructions shall remain with the appliance or equipment at the completion of the installation

3 TECHNICAL REFERENCES

Read and understand all information provided under this section, [Technical References](#), before you begin the installation of this product. Failure to follow all technical reference information, use of components or parts not approved or use of improper installation procedures can lead to a fire or explosion causing property damage, personal injury, or loss of life.

3.1 GENERAL TECHNICAL REFERENCES

Caution: Before igniting the pilot or burners, perform the following inspections and verifications:

Check glass gasket seal. Visually inspect glass gasket, especially at the corners of the glass piece. Glass gasket is installed as a 4-piece assembly. Check joints between the gasket pieces at the corners. They should butt against each other to create a seal. Gaps between gasket pieces can cause exhaust leaks and lead to acrid smell concerns. Check for gas leaks at all fittings.

During the first burning cycle of this Fireplace insert, ensure the convection blower is running at level three during the first two hours of initial burn. After two hours of initial burn, allow fireplace insert to cool. **Proceed with [Mendota Fireplace insert Curing Instructions](#).**

WARNING FIRE RISK/ODOR RISK

- An R-1 Rated Hearth Protection Pad, 16" deep, is required unless this fireplace insert is elevated at least 6" above floor level of the room. For every 1" this fireplace insert is elevated, you may reduce the hearth pad depth by 2". Locate and install appliance to all clearance specifications in manual.
- Verify glass gasket seal before firing unit the first time. Verify proper latching of glass frame onto unit body.
- Understand that this appliance requires a break-in period during which small amounts of smoke and curing smells will be emitted.

This fireplace insert must be installed and serviced by a qualified installer, service agency, or the gas supplier. Any adjustments to burner, pilot, logs, or coal bed must be made by a qualified installer, service agency, or the gas supplier.

If pilot goes out, always wait 5 minutes before attempting to relight pilot.

Never block off convection air openings or paths. Trim panels or surrounds shall not seal ventilation openings in the fireplace insert.

Always use Mendota decorative fronts and Mendota approved vent systems and vent caps only.

Keep the flue warm

It is required to leave the pilot light running during winter months when outside daily high temperatures remain 50°F or lower. Doing so will eliminate heat loss from the home through the Fireplace insert glass door and will increase flue draft during startups.

3.1.1 Mendota Fireplace insert Curing Instructions

ATTENTION

It is important that the blowers are turned on during this step to prevent the curing smoke from staining the wall finish above the fireplace insert. Mendota recommends completing Step 1 prior to installation of wall finish materials.

Visible smoke and strong odor are to be expected during this step. If desired, disable smoke alarms before this step, smoke from the initial curing cycle will set off smoke alarms. Open doors and windows of the home to circulate fresh air.

3.1.1.1 Step 1: Expelling Initial Smoke and Odors

- Please refer to, [LIGHTING INSTRUCTIONS](#), if you have questions on how to operate your Mendota.
- Complete the installation of any barrier screen (required), surround, front, or doors.
- Turn the fireplace insert on.
- Set the Flame Height to Hi.
- Set the Fan Speed Control to medium.
- Run the fireplace insert with these settings for a minimum of 2 hours.
- Turn the fireplace insert off and let it cool.

3.1.1.2 Step 2: High Heat Curing Cycle

- Turn the fireplace insert on.
- Set the Flame Height to Hi.
- Set the Fan Speed Control to Off.
- Run the fireplace insert with these settings until curing odors have diminished.
- When odors have diminished leave the fireplace insert turned on and continue to Step 3.

3.1.1.3 Step 3: Final Curing Cycle

- With the fireplace insert still turned on from Step 2.
- Set the Fan Speed Control to the lowest setting.
- If any new curing odors are detected, continue to run the fireplace insert with this setting until the curing odors have diminished.

ATTENTION: Slight odors may still be noticeable on future startups of the fireplace insert. These will diminish over time as the fireplace insert is used.

3.1.1.4 Additional Curing Information

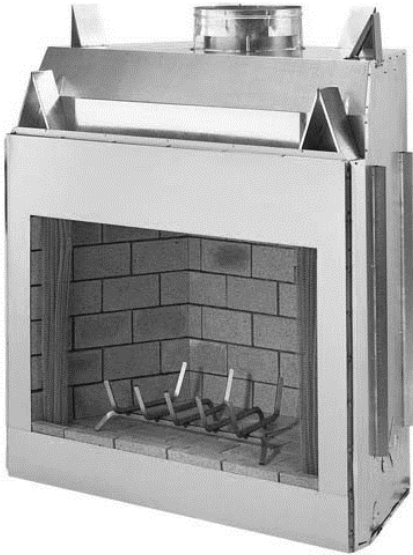
It is not unusual for a fireplace insert to require more than 10 continuous hours on high for curing odors to diminish. There are variables that can extend or shorten the curing time such as decorative fronts, doors, facing materials and their application. Finish materials around the fireplace insert are subject to high temperatures. Finishing materials used over the fireplace insert in the non-combustible zone can see temperatures around 350° F. Materials used around the fireplace insert must be rated for these temperatures. Failure to use adequate materials can result in odor problems. Please be aware that materials used around the fireplace insert will heat up and have the potential to cause odor issues. Adhesives, glue, wall substrate, wall finish material, paints and polishes are common materials that if used incorrectly will cause odor issues. Mendota is not responsible for any odor issues caused by materials used around the fireplace insert.

3.2 MECHANICAL TECHNICAL REFERENCES

3.2.1 Install Only in Woodburning fireplace inserts

This Mendota Insert must be installed and serviced by a qualified installer, service agency, or the gas supplier. This Gas Fired Insert Heater can only be installed inside a Masonry Woodburning Fireplace insert cavity or inside a Factory Built Zero Clearance Woodburning Fireplace insert Cavity. For refacing around an existing Masonry Fireplace insert or a Factory Built Zero Clearance Woodburning Fireplace.

WARNING: Do not attempt to install this Gas Fired Insert Heater inside any cavities other than a Masonry Woodburning Fireplace insert cavity or a Factory-Built Zero Clearance Woodburning Fireplace insert cavity. Doing so will lead to a house fire which can lead to property damage, physical injury and possible loss of life and will nullify and void all applicable warranty or claims.



Factory Built ZC Woodburning Fireplace insert



Masonry Woodburning Fireplace insert

Warning: There are strict requirements as to what can be modified on a solid fuel factory-built fireplace when installing a fireplace inset to ensure the insert is installed safely:

- Smoke shelves, shields, and baffles may be removed if attached by mechanical fasteners.
- Firebrick can be removed.
- Any chimney clean-outs must fit properly.
- Trim panels or surrounds shall not seal ventilation openings in the fireplace.
- If no gas/electrical access hole is provided, an access hole of 1.5" or less may be drilled through the lower side or bottom of the firebox.
- The floor of the firebox in the existing fireplace can be cut out. Supports under the firebox floor and the front of the fireplace can also be removed to allow the Insert to sit on the bottom of the factory-built fireplace. **Cutting of any other sheet metal parts of the fireplace is prohibited.**
- Attach the "THIS FIREPLACE HAS BEEN CONVERTED" label that is included with this kit to the bottom or back of the fireplace, so that it is visible if the insert is removed.

3.2.2 Install Only in Woodburning fireplace inserts

The listing label is in the air gap beneath the firebox behind the lower grill of the Fireplace insert. It is secured to a chain and can be pulled out to be viewed.

MENIOTA®

NORTH AMERICA'S LUXURY FIREPLACE



Intertek
W/N 02726

DIRECT VENT GAS FIREPLACE HEATER
(POELE AU GAZ HOMOLOGUÉ, À AÉRATION DIRECTE)
NOT FOR USE WITH SOLID FUEL
(NE DOIT PAS ÊTRE UTILISÉ AVEC UN COMBUSTIBLE SOLIDE)

MANUFACTURED BY (FABRIQUÉ PAR):
JOHNSON GAS APPLIANCE CO. HIAWATHA, IOWA
CERTIFIED FOR CANADA (HOMOLOGUE POUR LE CANADA)
CERTIFIED TO (CERTIFIÉE) ANSI Z21.88-2019(R2024)
CATEGORY II APPLIANCE

⚠ DANGER

HOT GLASS WILL CAUSE BURNS.
DO NOT TOUCH GLASS UNTIL COOLED.
NEVER ALLOW CHILDREN TO TOUCH GLASS.

VITRE CHAUDE - RISQUE DE BRÛLURES.
NE TOUCHEZ PAS UNE VITRE NON REFRIGÉRIÉE.
NE LAISSEZ JAMAIS UN ENFANT TOUCHER LA VITRE.

A barrier designed to reduce the risk of burns from the hot viewing glass is provided with this appliance and must be installed for the protection of children and other at-risk individuals.
L'écran pare-étincelles fourni avec ce foyer réduit le risque de brûlure en cas de contact accidentel avec la vitre chaude et doit être installé pour la protection des enfants et des personnes à risques.

Refer to the Intertek Directory of Building Products (<https://bpdirectory.intertek.com>) for detailed information.
Consultez l'Intertek Directory of Building Products (<https://bpdirectory.intertek.com>) pour des informations

WARNING: IMPROPER INSTALLATION, ADJUSTMENT, ALTERATION, SERVICE OR MAINTENANCE CAN CAUSE PROPERTY DAMAGE, PERSONAL INJURY, OR LOSS OF LIFE. REFER TO THE OWNER'S INFORMATION MANUAL PROVIDED WITH THIS APPLIANCE. INSTALLATION AND SERVICE MUST BE PERFORMED BY A QUALIFIED INSTALLER. THIS VENTED GAS APPLIANCE IS NOT FOR USE WITH AIR FILTERS. FOR USE ONLY WITH GLASS BARRIER Part no. AA-11-02040

MISE EN GARDE: INSTALLATION, RÉGLAGE, MODIFICATION, ENTRETIEN OU DÉPANNAGE NON APPROPRIÉS POURRONT CAUSER DES BLESSURES OU DES DOMMAGES MATÉRIELS. RÉFÉREZ-VOUS AU MANUEL DU PROPRIÉTAIRE FOURNI AVEC CET APPAREIL. POUR ASSISTANCE OU RENSEIGNEMENTS COMPLÉMENTAIRES, VEUILLEZ CONSULTER UN INSTALLATEUR EXPÉRIMENTÉ, UNE AGENCE DÉ DÉPANNAGE/ENTRETIEN OU COTRE COMPAGNIE GAZIERE, POUR UTILISATION AVEC LES PORTES EN VERRE CERTIFIÉE L'APPAREIL SEULEMENT. NE PAS OPÉRER AVEC LE VERRIÈRE ENLEVER, CRAQUELURE, BRISÉ.

WARNING: DO NOT OPERATE THE APPLIANCE WITH GLASS FRONT REMOVED, CRACKED OR BROKEN. REPLACEMENT OF THE PANEL(S) SHOULD BE DONE BY A LICENSED OR QUALIFIED SERVICE PERSON. FOR USE WITH GLASS DOORS CERTIFIED WITH THE APPLIANCE ONLY. AVERTISSEMENT: NE PAS UTILISER L'APPAREIL SI LE PANNEAU FRONTAL EN VERRE N'EST PAS EN PLACE, EST CRAQUÉ OU BRISÉ. CONFIEZ LE REMPLACEMENT DU PANNEAU À UN TECHNICIEN AGRÉÉ. SEULES DES PORTES CERTIFIÉES POUR CET APPAREIL DOIVENT ÊTRE UTILISÉES

	<input type="checkbox"/> NATURAL GAS (GAS DE PÉTROLE)	<input type="checkbox"/> LP GAS (GAZ NATUREL LIQUÉFIÉ (GPL))
INPUT RATING (BTR/HR) 0-2000ft (0-610m) (ENTRÉE NOMINALE)	30,000	29,000
MIN. INPUT RATING (BTU/HR) 0-2000ft (0-610m) (MINIMALE ENTRÉE NOMINALE)	19,900	16,200
ORIFICE 0-2000ft (0-610m) (PAN/LEFT/RIGHT)	#35	#52
ORIFICE 2000-4500ft (610-1370m) (PAN/LEFT/RIGHT)	#36	#53
INPUT RATING (BTU/HR) 2000-4500ft (610-1370m)	29,111	28,140
MAXIMUM OUTPUT (BTU/HR) (SORTIE MAXIMALE)	23,300	23,100
MANIFOLD PRESSURE (in. w.c./kPa) (PRESSION AU COLLECTEUR)	3.5 (0.87)	10.0 (2.5)
MANIFOLD PRESSURE, LOW (in. w.c./kPa) (PRESSION AU COLLECTEUR MINIMALE)	1.6 (0.4)	6.4 (1.64)
MINIMUM INLET PRESSURE (in. w.c./kPa) (PRESSION D'ENTRÉE MINIMALE)	5.0 (1.24)	11.0 (2.74)

THIS APPLIANCE IS ONLY FOR USE WITH THE TYPE OF GAS INDICATED ON THE RATING PLATE AND MAY BE INSTALLED IN AN AFTERMARKET, PERMANENTLY LOCATED, MANUFACTURED HOME (USA ONLY) OR MOBILE HOME, WHERE NOT PROHIBITED BY LOCAL CODES. SEE OWNER'S MANUAL FOR DETAILS. THIS APPLIANCE IS NOT CONVERTIBLE FOR USE WITH OTHER GASES, UNLESS A CERTIFIED KIT IS USED.

CET APPAREIL DOIT ÊTRE UTILISÉ UNIQUEMENT AVEC LE TYPE DE GAZ INDIQUÉ SUR LA PLAQUE SIGNALÉTIQUE. CET APPAREIL PEUT ÊTRE INSTALLÉ DANS UNE MAISON PRÉFABRIQUÉE OU MOBILE (É.-U. SEULEMENT) INSTALLÉE À DEMEURE SI LES RÈGLEMENTS LOCAUX LE PERMETTENT. VOIR LA NOTICE DE L'UTILISATEUR POUR PLUS DE RENSEIGNEMENTS. CET APPAREIL NE PEUT PAS ÊTRE UTILISÉ AVEC D'AUTRES GAZ SAUF SI UNE TROUSSE DE CONVERSION CERTIFIÉE EST FOURNIE.

UNIT TO SIDEWALL 16in. (406 mm) 8" MANTLE ABOVE DISCHARGE AIR OPENING 12in. (305 mm)

CAUTION: HOT WHILE IN OPERATION. DO NOT TOUCH. KEEP CHILDREN, CLOTHING, FURNITURE, AND FLAMMABLE LIQUIDS OR VAPORS AWAY. KEEP GASOLINE AND OTHER LIQUIDS HAVING FLAMMABLE VAPORS AWAY.
ATTENTION: L'APPAREIL EST CHAUD LORSQU'IL FONCTIONNE. NE PAS TOUCHER L'APPAREIL. SURVEILLER LES ENFANTS. GARDER

ELECTRICAL RATING (COURANT NOMINAL): 120 VOLTS 60 HERTZ LESS THAN 1.5 AMPERES

DO NOT REMOVE OR COVER THIS LABEL
VEUILLEZ A NE JAMES ENLEVER NI DISSIMULER CETTE ÉTIQUETTE

65-01-01414

MODEL: D30

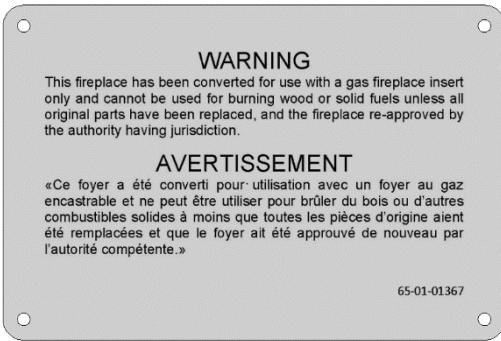
SN: 0398-

Listing Label

3.2.3 Other Warning and Caution Labels

All warning labels are located as specified.

Make certain you heed all the warning and caution statements during installation and maintenance of this appliance.



Supplied in manual box. To be attached to existing fireplace opening prior to insert installation.

This insert must be installed in an existing masonry or factory built ZC wood burning fireplace with a minimum front opening of 30.25" wide by 19" tall. A minimum depth of 16.5" is required with a flat surround. As the surround return depth increases the required opening depth decreases. See manual for additional information. The existing chimney flue must be large enough to allow a 4" exhaust and 4" intake flex pipe to run from the fireplace to the vent cap.

This appliance must be properly connected to a venting system in accordance with the manufacturer's installation instructions.

65-01-01459

Located on top of unit near vent adapter.

CAUTION

Hot while in operation. Do not touch. Severe burns may result. Keep children, clothing, and furniture away. Keep gasoline and other liquids having flammable vapors away.

ATTENTION

L'appareil est chaud lorsqu'il fonctionne. Ne pas toucher l'appareil. Risque de brûlures graves. Surveiller les enfants. Garder les vêtements et les meubles loin de l'appareil. Garder l'essence ou autres liquides produisant des vapeurs inflammables loin de l'appareil.

Keep burner and control compartment clean. See Installation and Operating Instructions accompanying the appliance.

S'assurer que le brûleur et le compartiment des commandes sont propres. Voir les instructions d'installation et d'utilisation qui accompagnent l'appareil.

WARNING

Improper installation, adjustment, alteration, service, or maintenance can cause injury or property damage. Refer to the owner's information manual provided with this appliance. For assistance or additional information consult a qualified installer, service agency, or the gas supplier.

ADVERTISSEMENT

Une installation, un réglage, une modification, une réparation ou un entretien mal effectué peut causer des dommages matériels ou des blessures. Voir la notice de l'utilisateur qui accompagne l'appareil. Pour de l'aide ou des renseignements supplémentaires, consultez un installateur, un technicien agréé ou le fournisseur de gaz.

WARNING

If the vent system for this appliance is disconnected for purposes of cleaning or inspection, the vent system must be properly reinstalled and resealed prior to firing of this device.

ADVERTISSEMENT

Si le système d'évacuation de cet appareil est déconnecté à des fins de nettoyage ou d'inspection, le système d'évacuation doit être correctement scellé et remis en avant tir de cet appareil.

65-01-01452

WARNING

FOR VERTICAL VENT PIPE APPLICATIONS

Always maintain 1" clearance between vent pipe & combustibles.

FOR HORIZONTAL VENT PIPE APPLICATIONS

Always maintain 3" clearance from top of vent pipe and 1" clearance from side & bottom of vent pipe to combustibles

AVERTISSEMENT

INSTALLATIONS À CONDUIT D'ÉVACUATION VERTICAL

Toujours maintenir un dégagement de 25 mm (1 po) entre le conduit et les matières combustibles.

INSTALLATIONS À CONDUIT D'ÉVACUATION HORIZONTAL

Toujours maintenir un dégagement de 76 mm (3 po) sur le dessus du conduit et de 25 mm (1 po) sur les côtés et le dessous du conduit par rapport aux matières combustibles.

WARNING

This heater must be properly connected to venting system in accordance with the manufacturer's installation instructions. Operation of this heater when not connected to a properly installed and maintained venting system can result in carbon monoxide (CO) poisoning and possibly death.

AVERTISSEMENT

Cet appareil de chauffage doit être correctement raccordé à un système d'évacuation conformément aux instructions d'installation du fabricant. Le fonctionnement de cet appareil s'il n'est pas raccordé à un système d'évacuation correctement installé et entretenu présente un danger d'intoxication au monoxyde de carbone (CO), voire de mort.

CAUTION

Do not operate the appliance with glass removed, cracked, or broken. Replacement of the panel(s) should be done by a licensed or qualified service person.

ATTENTION

Ne pas utiliser l'appareil si le panneau frontal en verre n'est pas en place, est craqué ou brisé. Confiez le remplacement du panneau à un technicien agréé.

65-01-01452

Located on chain with serial plate at bottom of unit.

READ ALL WARNINGS AND MANUAL INSTRUCTIONS BEFORE INSTALLING!!

LISEZ TOUS LES AVERTISSEMENTS ET INSTRUCTIONS DU MANUEL AVANT L'INSTALLATION !!

This appliance must be installed in accordance with local codes, if any, if not, follow the National Fuel Gas Code, ANSI Z223.1 or Canadian Installation Codes, CAN/CGA B149

CAUTION

Hot while in operation. Do not touch. Severe burns may result. Keep children, clothing, and furniture away. Keep gasoline and other liquids having flammable vapors away.

NOTICE

Initial heater start-up will cause some "off gassing" of adhesives, gasket binders, paint, and other materials. Most nuisance odors will be eliminated after the first two hours of operation. However, slight amounts may be present during the first 24 hours of initial operation.

WARNING

This insert must be installed and serviced by a qualified installer, service agency, or the gas supplier. This insert must be installed into a non-combustible masonry wood burning fireplace or a factory built wood burning fireplace. Failure to follow all required clearances and installation instructions in the manual can result in a fire or explosion causing property damage or personal injury.



Installer l'appareil selon les codes ou règlements locaux, ou, en l'absence de tels règlements, selon les Codes d'Installation CAN/CGA-B149

ATTENTION

L'appareil est chaud lorsqu'il fonctionne. Ne pas toucher l'appareil. Risque de brûlures graves. Surveiller les enfants. Garder les vêtements et les meubles loin de l'appareil. Garder l'essence ou autres liquides produisant des vapeurs inflammables loin de l'appareil.

REMARQUER

Initial chauffe démarrage cause certains "off gassing" des colles, joint de liants, de la peinture et autres matériaux. La plupart des nuisances d'odeurs seront éliminés après les deux premières heures de fonctionnement. Toutefois, de légères quantités mal être présent pendant les 24 premières heures de l'opération initiale.

ATTENTION

Cet encastable doit être installé et entretenu par un installateur qualifié, une agence de service ou le fournisseur de gaz. Cet encastable doit être installé dans un foyer au bois de maçonnerie incombustible ou un foyer au bois préfabriqué. Le non-respect de tous les dégageements et instructions d'installation requis dans le manuel peut entraîner un incendie ou une explosion causant des dommages matériels ou des blessures.

⚠ DANGER



HOT GLASS WILL CAUSE BURNS. DO NOT TOUCH GLASS UNTIL COOLED. NEVER ALLOW CHILDREN TO TOUCH GLASS.

A barrier designed to reduce the risk of burns from the hot-viewing glass is provided with this appliance and shall be installed for the protection of children and other at-risk individuals.



⚠ WARNING

This product and the fuels used to operate this product (liquid propane or natural gas), and the products of combustion of such fuels, can expose you to chemicals including benzene, which is known to the State of California to cause cancer and reproductive harm. For more information, go to: www.P65Warnings.ca.gov.



NATIONAL FIREPLACE INSTITUTE CERTIFIED
We recommend that our gas Hearth products be installed and serviced by professionals who are certified in the U.S. by the National Fireplace Institute® (NFI) as NFI Gas Specialists.

⚠ DANGER



VITRE CHAUDE – RISQUE DE BRÛLURES. NE TOUCHEZ PAS UNE VITRE NON REFROIDIE. NE LAISSEZ JAMAIS UN ENFANT TOUCHER LA VITRE.

L'écran pare-éclats fourni avec ce foyer réduit le risque de brûlure en cas de contact accidentel avec la vitre chaude et doit être installé pour la protection des enfants et des personnes à risques.

Located on glass door of unit.

3.2.4 D30 DEEP TIMBER Fireplace insert Ratings Information

This Mendota Insert must be installed in an existing Masonry Wood Burning Fireplace insert or a Factory Built ZC Wood Burning Fireplace insert.

MINIMUM FIREPLACE INSERT CAVITY SIZE REQUIREMENT: 30-1/2" WIDE X 19" HIGH X 16-1/2" DEEP (depth can be reduced using a surround with a deep outer edge finish).

ELECTRICAL REQUIREMENTS: 120 Volts AC, 1.5 Amps (minimum line voltage allowed 110 Volts AC) **REQUIRED GAS SUPPLY PRESSURE:** NAT. GAS: 7" W.C. [5.0" W.C. MIN., 11" W.C. MAX.]

L.P. GAS: 11" W.C. [11" W.C. MIN., 13" W.C. MAX.]

LP GAS CONVERSION KIT: This Insert comes configured for use with Natural Gas. To convert the Insert for use with LP Gas, install: LP GAS CONVERSION KIT HA-28-00283.

GAS INPUT RATES	High Fire	Low Fire
BTUH NAT. GAS	30,000	19,900
BTUH L.P. GAS	29,000	16,200

ORIFICE SIZES..... Natural Gas #35; LPG #52

P.4 EFFICIENCY73.1%

FLUE VENTING1. CO-LINEAR - 4" DIAMETER EXHAUST & 4" DIAMETER AIR INLET APPROVED VENTS, 10 Feet Minimum Vent Length. 50 Feet Maximum Vent Length.

2. COAXIAL – 4" DIAMETER EXHAUST & 6" DIAMETER AIR INLET APPROVED VENT, 10 Feet Minimum Vent Length. 50 Feet Maximum Vent Length.

WARNING: Low-profile vent caps offered by any brand are not approved for use with Mendota Gas Inserts.

NET WEIGHT.....175 lbs. (Team Lift recommended)

BARRIER SCREEN: A barrier screen that has been certified for use with this insert must be installed on the Insert when it is in use. The barrier screen will prevent accidental contact with the glass door face, which could result in a severe burn.

SAFETY: AGA certified, standing pilot system with thermocouple safety.

CERTIFIED TO: ANSI Z21.88-2019(R2024)

This Mendota Gas Fireplace Insert has been tested and certified by:

Intertek Testing Services, 8431 Murphy Drive, Middleton, WI 53562

3.2.5 Normal Surface Temperatures

WARNING: The supplied barrier screen must be installed, always, when this fireplace insert is in operation. Do not place any object directly in front (within 60" from barrier screen surface) or directly above (on the front edge of the mantel). This is a heating appliance. Areas directly in front and above this appliance will be very hot and can damage most household objects if placed too close. Keep Furniture pieces at least 60" away in front of the barrier screen surface.

HINT: To greatly reduce surface temperatures surrounding this Fireplace insert during operation, Mendota recommends operating the integrated convection air blowers which aid in cooling all surrounding surfaces.

Mendota Fireplace inserts comply with ANSI Z21.88 Standards for maximum surface temperatures (ambient plus 117°F) on exposed "combustible" surfaces adjacent to the Fireplace insert.

Be aware that surfaces in front of, above and adjacent to this heater appliance can be too hot to touch. As long as all required clearances to combustibles are met and the required finishing materials are used, this appliance will perform safely. Note that the exposed surfaces immediately surrounding the Fireplace insert can have surface temperatures that are too hot to touch. This level of surface temperature is considered normal and does not indicate any hazardous situation.

3.2.5.1 Hearth Pad Temperatures

The top exposed surface of the noncombustible hearth pads can reach a temperature that is too hot to touch (as high as 250°F). This is considered normal.

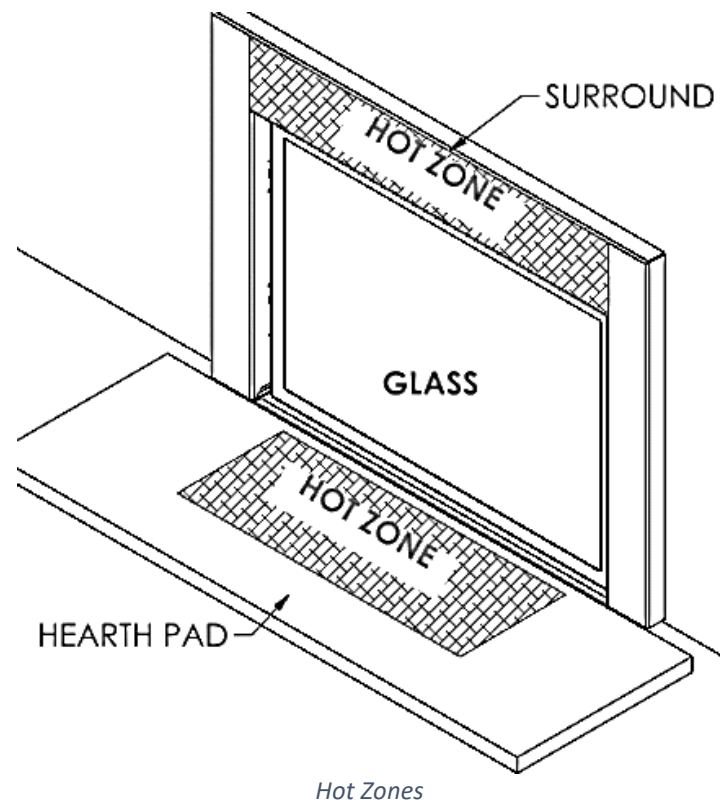
3.2.5.2 Surround Face Temperatures

Areas of the breastplate directly above the top convection air gap of this Fireplace insert can be very hot (too hot to touch; exceeding 250°F) and is deemed normal.

3.2.5.3 Mantel Temperatures

Mendota Fireplace inserts comply with ANSI Z21.88 standards for maximum surface temperatures on exposed "combustible" surfaces adjacent to the Fireplace insert. Be aware that surface in front of, above and adjacent to this heater appliance can be too hot to touch. As long as all required clearances to combustibles are met and the required finishing materials are used, this appliance will perform safely. Note that the exposed surfaces immediately surrounding the Fireplace insert can have a surface temperature too hot to touch. This level of surface temperatures is considered normal and does not indicate any hazardous situation.

WARNING: Surfaces surrounding this Fireplace insert can be very hot to the touch during operation. Carefully supervise children and pets while this Fireplace insert is operating



3.2.6 Fireplace insert Features

EXTERNAL DIMENSIONS: 30-1/2" Wide X 19" High X 16-1/2" Deep

GLASS SIZE: NeoCeram Glass with non-reflective coating. Visible Glass measures 26-7/16" X 11-1/8".

MANTEL ALLOWANCE: 8" Deep Mantel at 12" Above Top Convection Opening (32-1/2" up from base of Unit)

CONTROLS: Thermocouple Safety System with Standing Pilot Thermopile power generator. Thermostat option available.

BLOWER SYSTEM: 190 CFM Dual Blower System. 120VAC, 2Amps. Dedicated Hot Power only. No switches, Fan Speed Controls or Light Dimmers are allowed in same circuit.

BURNER SYSTEM: Stainless-Steel Tubular burner.

BURNER AIR SHUTTER SYSTEMS: Externally controllable Burner air shutter.

LOG SET: 6-piece, Premium Fiber Log Set with Extreme glow, and realism.

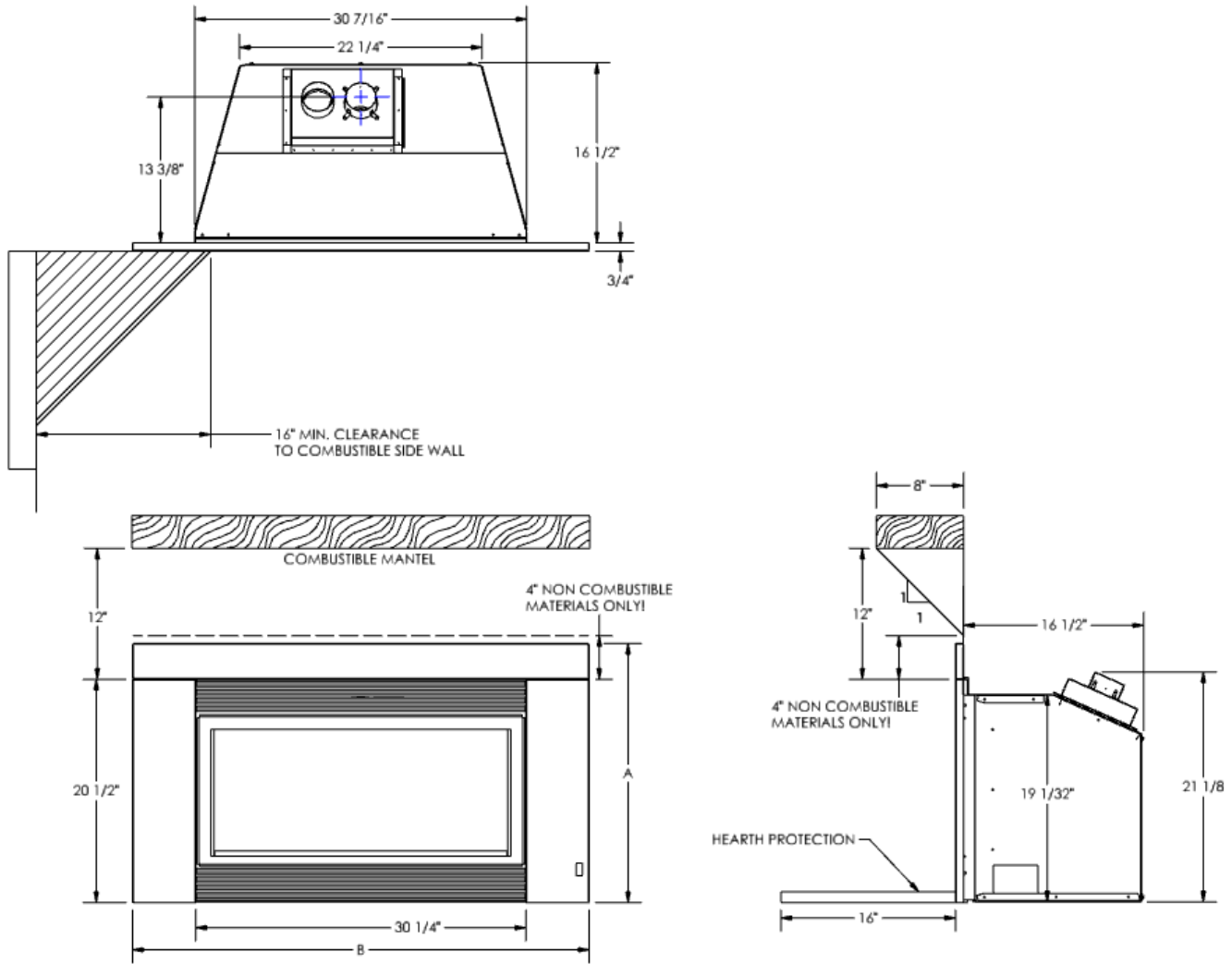
REFRACTORY PANELS: High Detail Red Clinker Fiber Brick Panels included. Brick Panels required for operation.

NATURAL GAS INFORMATION: Factory equipped for Natural Gas. 4.5" WC Minimum inlet pressure required.

LPG INFORMATION: LP conversion kit # HA-28-00283 is required. 12" WC Minimum inlet pressure required. For the D30 LPG application, the orifice is to be drill size #52. For higher altitude, adjustment to orifice size may be necessary.

3.2.6.1 Overall Insert Dimensions

D30 DIMENSIONS



Fig

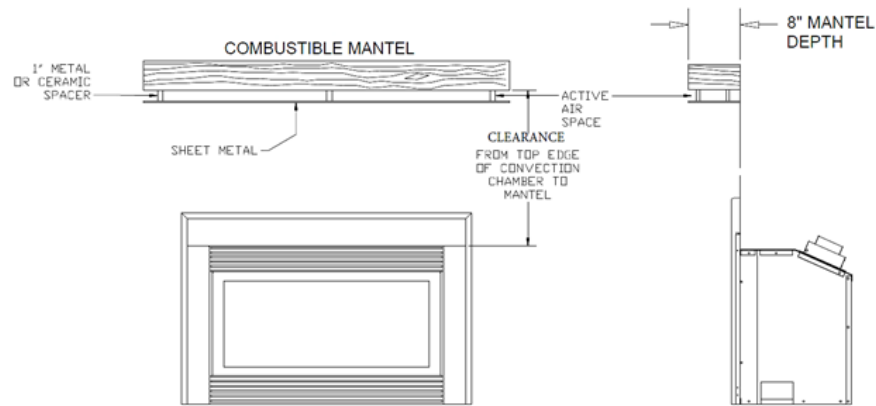
A combustible wall, perpendicular and in front of this appliance's glass door face must be at least 16" away from the side edges of visible glass.

A wall at a 45° angle to the front face and starting at the Side Edge of this appliance is allowed. Projections behind this 45° angle edge (shaded area) are allowed.

Note: For every 1" this fireplace insert is raised off the floor, the non-combustible hearth protection pad may be reduced by 2". If this fireplace insert is raised more than 6" off the floor, no hearth protection pad is required. See [Chapter Error! Reference source not found.](#)

3.2.1 Reduction of Clearance to combustible mantels

If the existing mantel does not conform to required clearances, either remove or relocate the combustible mantel at an approved height or add a 24-gage metal shield underneath the combustible mantel that extends the full width and depth of the combustible mantel. Provide a 1" active air space between the metal shield and the bottom surface of the combustible mantel. Use ceramic spacers to create the 1" active air space. This will allow the minimum clearance to be taken down from 12" to 6".



3.2.2 Hearth Pad Requirement

A non-combustible hearth protector with a thermal insulation rating of R-1 is required when installing this insert directly on the floor and must extend a minimum of 16" in front of this insert.

For every 1" the insert is raised off the floor, the depth of the required R-1 hearth protector may be reduced by 2". If the insert is raised off the floor 6" or more, no R-1 hearth protector is required for fire protection.

Raising the insert only removes the requirement for a R-1 rated hearth protector. The floor in front of the insert will still get hot up to 200 °F. The higher the insert is raised the lower the temperatures on the floor will be. Materials used on the floor in front of the insert must be appropriate for elevated temperatures.

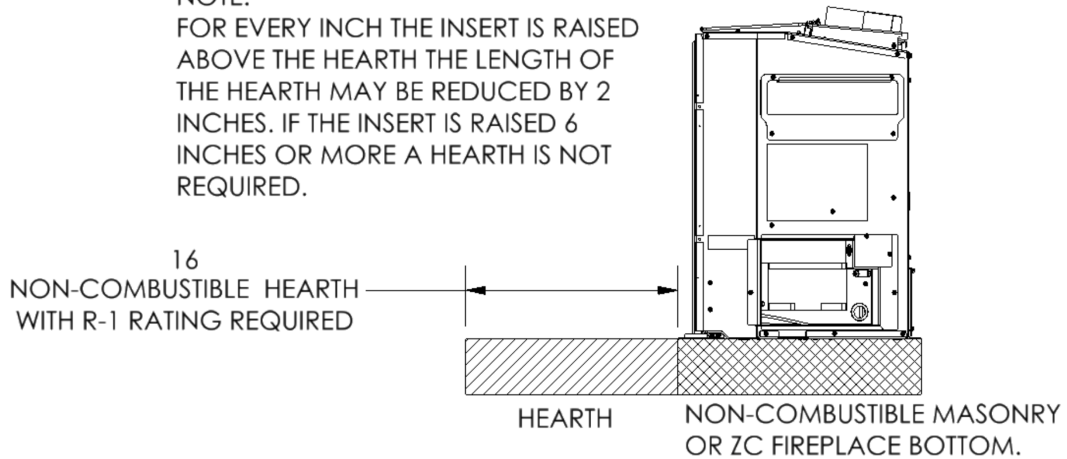
Flooring materials such as carpet, vinyl and laminated floors may warp or be damaged if installed in front of this insert. If these materials are used it is recommended that the insert is raised at least 12" above the floor.

Mendota does not guarantee any materials used around the insert. Mendota disclaims any and all liability for any damage to finishing materials including warping, discoloring, cracking, peeling or flaking. This also includes any off-gassing or unpleasant smells from materials when they are heated.

3.2.2.1 Hearth Pad Materials

A hearth pad with an R-Value of at least 1 is required unless the insert is raised off the floor 6" or more. A list of common finishing materials and their R-Values is included in the "R-Values of Common Finishing Materials" section of this manual. Many finishing materials have a low R-Value. For example, 1" thick granite has a R-Value of only .05. When building a conforming hearth pad, it may be necessary to use an insulating underlayment board with a high R-Value. A list of some possible underlayment boards is given below. These boards are not structural they can be easily dented and damaged. They must only be used as an insulator under other non-combustible finishing material.

NOTE:
FOR EVERY INCH THE INSERT IS RAISED
ABOVE THE HEARTH THE LENGTH OF
THE HEARTH MAY BE REDUCED BY 2
INCHES. IF THE INSERT IS RAISED 6
INCHES OR MORE A HEARTH IS NOT
REQUIRED.



R-Values of Hearth Pad Boards			
<i>Material</i>	<i>Thickness</i>	<i>R-Value</i>	<i>Application</i>
Mineral Fiber Board (Micore 160, 300, SB)	1/2"	1.27 – 1.47	Hearth Pad Insulator
Cearmic Board (Rescor 360)	1/2"	1.11	Hearth Pad Insulator
Cearmic Board (Fiberfrax Duraboard LD)	1/2"	1.10	Hearth Pad Insulator

3.2.3 Re-facing a Woodburning Fireplace

Remodeling an old wood burning fireplace and its surrounding wall facings is a cost-effective way to modernize and enhance the beauty of a home and to raise the resale value of a home. This form of remodeling is called "re-facing".

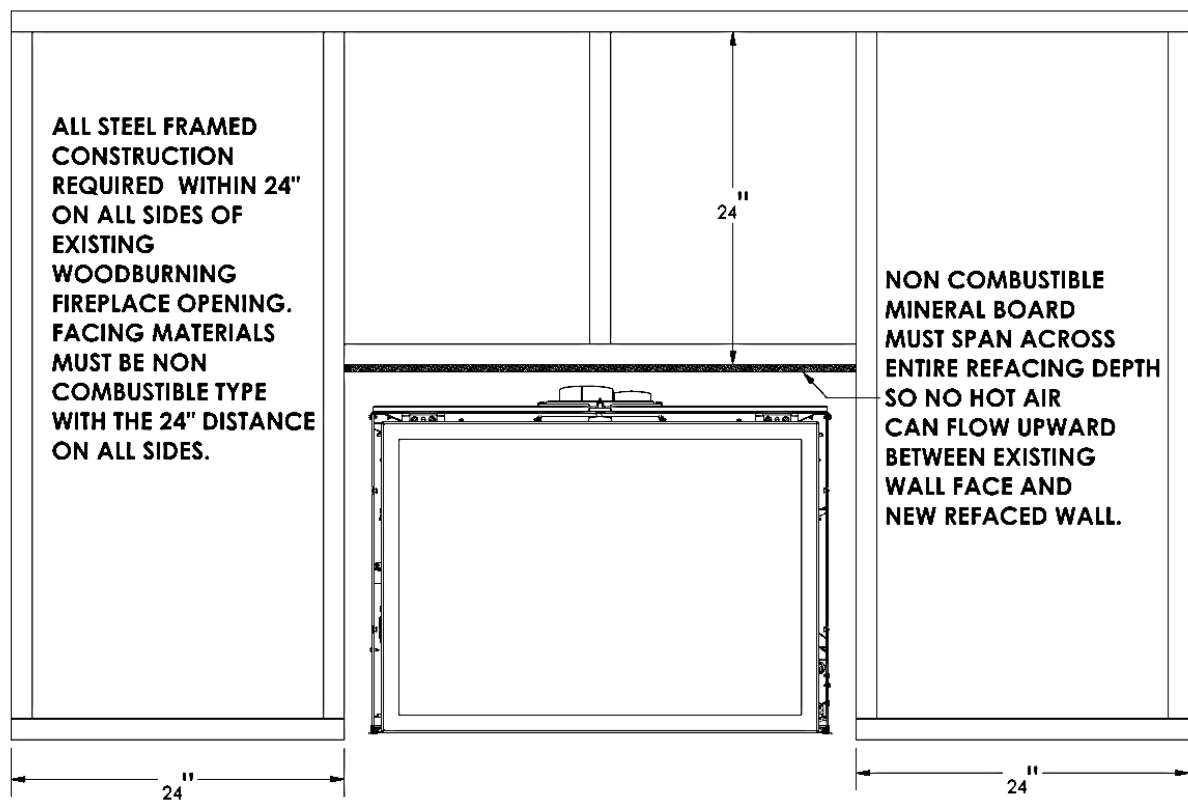
Notes for re-facing:

1. All re-facing framing members' material within 24" of the opening of the existing wood burning fireplace must be galvanized steel.
2. Directly above the top of the existing wood fireplace, a galvanized steel stud must run horizontally across the opening of the fireplace. On the bottom face of this horizontal galvanized steel stud, a heat rise barrier made from ½" thick noncombustible mineral board must be installed in a manner which completely blocks heat from seeping and rising upwards between the existing wall face and the newly installed wall surface structure.

Warning: Failure to install this Heat Rise Barrier board can lead to a fire hazard.

3. All facing materials used on the new framed structure and within 24" of the existing fireplace opening, in all four directions, must be of the noncombustible type.

Note: The suggestions given in this section are Mendota Fireplace's recommendations only. All local building code requirements must still be researched and followed.



Re-facing Information

3.2.4 Suitable Mantel, Facing & Hearth Pad Materials

Materials used in areas designated as non-combustible must be rated as non-combustible per NFPA 220 Standard on Types of Building Construction, or reported as passing ASTM E 136, Standard Test Method for Behavior of Materials in a Vertical Tube Furnace at 750 Degrees C.

WARNING: Common Finishing Materials Not Approved for use.

Paper faced gypsum board (drywall) including Type X Fire Rated board is not a non-combustible material. These boards are not approved for use in the non-combustible zone of the insert.

WonderBoard brand boards are commonly used as a backerboard for tile. WonderBoard backerboard is not a non-combustible material and is not approved for use in the non-combustible zone of the insert. In addition, WonderBoard off-gasses when heated and should not be used anywhere near the insert.

Information for common materials used is given below. Mendota does not guarantee any materials used around the insert. Mendota disclaims any and all liability for any damage to finishing materials including warping, discoloring, cracking, peeling or flaking. This also includes any off-gassing or unpleasant smells from materials when they are heated.

3.2.4.1 R-Values of Common Finishing Materials

R-Values of Hearth Pad Boards			
<i>Material</i>	<i>Thickness</i>	<i>R-Value</i>	<i>Application</i>
Mineral Fiber Board (Micore 160, 300, SB)	1/2"	1.2 – 1.4	Only approved for use as an insulator under other non-combustible finishing material for a hearth pad.
Cearmic Board (Rescor 360)	1/2"	1.11	
Cearmic Board (Fiberfrax Duraboard LD)	1/2"	1.10	

R-Values of Common Finishing Materials			
<i>Material</i>	<i>Thickness</i>	<i>R-Value</i>	<i>Application</i>
SkamoEnclosure Board	1"	0.410	Best option for a smooth wall finish. Least chance of cracking from heat.
Promat Promafour	1"	0.410	
Cement Board (Hardibacker 500)	1/2"	0.200	Best used as a backer board for tile or natural stone installations. Not recommended as a smooth wall finish.
Cement Board (Hardibacker)	1/4"	0.130	
Common Brick	2-1/4"	0.450	Common non-combustible materials used around an insert. Can be used on the wall or hearth pad. Install these materials per the recommendations in the following sections.
Common Brick	4"	0.800	
Thinset Mortar	1/4"	0.100	
Concrete (150 lbs/Cubic Foot)	1"	0.07	
Ceramic Tile	1/4"	0.25	
Flagstone	1"	0.079	
Granite	1"	0.05	
Limestone	1"	0.08	
Marble	1"	0.08	
Sandstone	1"	0.079	
Slate	1"	0.100	

3.2.4.2 Smooth Wall

When creating a smooth wall finish around the insert the correct materials and installation method must be followed to minimize the risk of cracks forming on the wall. Promat Promafour and SkamoEnclosure Board are two of the best options when creating a

smooth wall finish. These boards have been designed to create a smooth wall finish around a fireplace. These materials can be hard to source and may not be available in all areas.

3.2.4.3 Ceramic or Porcelain Tile

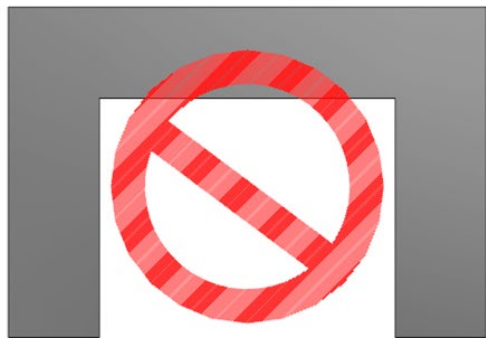
Use of ceramic or porcelain tiles around the insert is approved. If selecting a mosaic tile where tiles are held together with a webbing, ensure the webbing is a non-combustible material like fiberglass. Also ensure that the tiles are not attached to the webbing with a glue or epoxy that will off gas and smell when heated.

Use caution when selecting tile adhesives. Avoid polymer-modified mortars. These mortars will off-gas and smell when heated. Use unmodified dry-set mortar. A non-combustible backer board must be used when installing tile in a non-combustible zone around the insert.

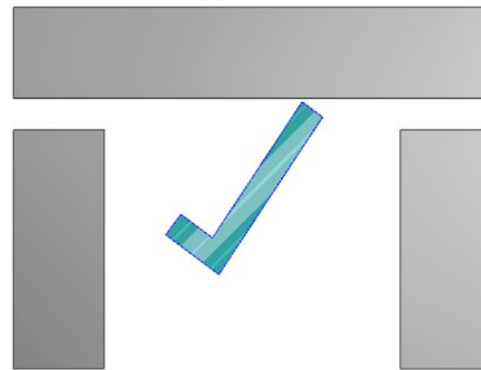
3.2.4.4 Marble, Granite and Natural Stones

Marble, granite, and other natural stone products are approved for use as mantel, facing and hearth pad materials with the following limitations and understanding of these cautionary statements:

Never use a one-piece marble, granite or natural stone that is water jet or mechanically cut in a U-shape as facing material to cover the sides and top areas around this product. Doing so can lead to crack formation at the inner corners of the U shape due to thermal expansion.



**SINGLE U-PIECE
DO NOT USE**



**THREE PIECES
USE**

Three Piece Stone

Most marble slabs and marble tiles contain a polyester resin coating while most granite slabs and granite tiles contain epoxy resin coatings. The polyester resin coatings and the epoxy resin coatings provide structural strength to the stone slabs and prevent cracking, chipping and breakage during shipping and handling. These coatings also provide a glossy or satin surface finish and help seal the stone surface.

The polyester resin used on marble slabs can discolor when exposed to temperatures greater than 150°F and will structurally fail at temperatures above 230°F. The epoxy resin coating used on granite slabs are resistant to discoloring and structural failures up to 350°F. Mendota does not assume any liability for discoloring, flaking, or cracking of marble or granite.

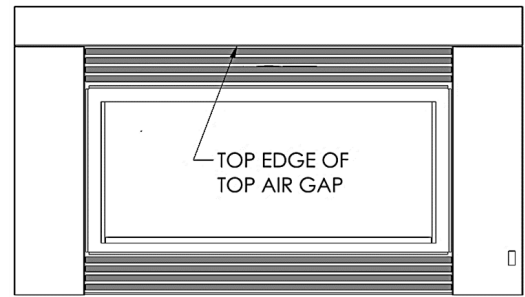
Temperatures on facings around the insert can reach 350°F directly outside the top convection air gap. These temperatures will discolor polyester resin coated marble facings and can cause the polyester resin coating to fail near the top convection air gap.

Mendota cannot guarantee suitability of use of any marble slabs or tiles that have a polyester resin coating applied to it and cannot guarantee against discoloration or structural failure of marble or polished stone facings that have a polyester resin coating. Consult with your local stone supplier.

Prior to use of any marble, granite or polished stone facing material, especially white colored ones, run heat exposure tests on a sample piece. Expose sample pieces to temperatures between 275°F and 350°F for a period of eight hours. Compare the heat exposed sample to a control unheated piece and judge for color changes. Do not use if any color changes are evident.

Mendota recommends the use of honed bare marble and bare stone facing materials or honed bare granite and epoxy resin coated granite only.

Mendota cautions that due to natural structural defects that can exist within marble and stone pieces, cracking and/or flaking of the marble or stone is possible and must be considered prior to selection and application around Mendota inserts. Mendota further cautions that proper adhesives be used to attach stone facings. Pay attention to the potential of off gassing of chemical vapors from mastic and other adhesives. Improper selection can lead to emission of chemicals with unwanted smells.



Top Air Gap

3.2.4.5 Suitable Paints and Sealant Materials

3.2.4.5.1 Paint Types Approved for Use

Industrial Acrylic Paints, Alkyd based Paints. When selecting paint for applications on facings, mantels, corbels, or floors within 2' in front of an insert raised 6" or higher, avoid off the shelf paints which may have modifier additives used to increase "hiding" ability, accelerate drying times and curing times. Consult with a reputable paints and sealants supplier and acquire industrial acrylic paints or alkyd-based paints.

3.2.4.5.2 Sealants Type Approved for Use

Heat resistant polyurethane sealants which are not damaged by prolonged exposure to raised temperatures. Many are flame resistant, meaning that they resist ignition when exposed to high temperatures and can insulate the substrate and delay damage to it. When selecting polyurethane for applications on facings, mantels, corbels or floors within 3' in front of or above a insert, avoid off the shelf urethane sealants which may have modifier additives used to accelerate drying times and curing times. Consult with a reputable paints and sealants supplier and acquire heat resistant polyurethane sealants.

3.2.4.5.3 Wood Application Cautions

If wood used around or in front of the insert has been chemically cleaned or bleached prior to staining or painting, it is of the utmost importance to make certain that the cleaner or bleach does not remain in the wood substrate under the final paint or sealant applied. If any cleaner or bleach remain within the wood structure, application of heat from the insert, even low-level heat, will cause the cleaner or bleach compounds to expand or evaporate causing separation of the paint or sealant from the wood surface and may cause peeling or bubbling of the paint or sealant.

Moisture content of the wood substrate is also of critical importance. High moisture content wood when heated will yield evaporation of the moisture and hydraulic pressure under the paint or sealants which can lead to peeling or bubbling. Always select the lowest moisture content wood substrate.

3.2.5 Recommendations for Television Installation

Note: The model depicted in the images is a representation of a Mendota Hearth fireplace. These recommendations apply to all Mendota Hearth Fireplaces.

When planning to install a television or other heat sensitive product above your fireplace, there are some points to consider.

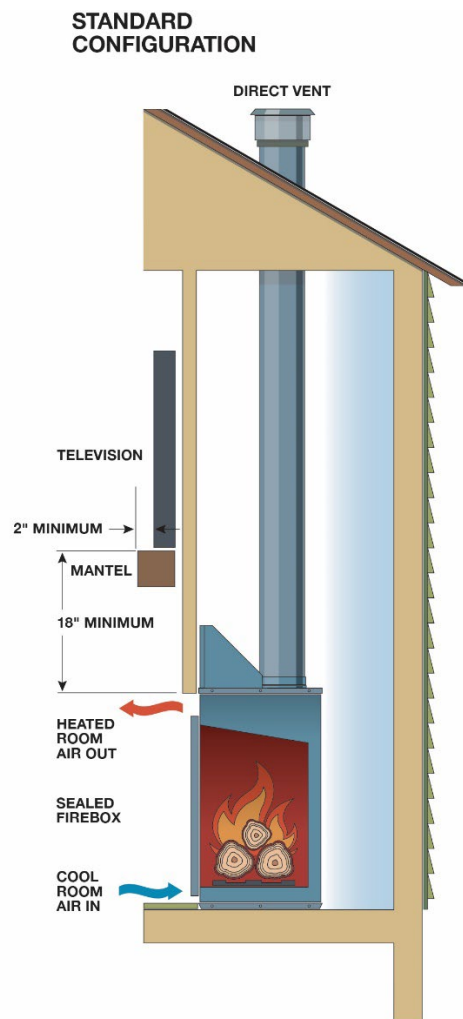
Many television manufacturers specify in their installation instructions that the television must not be installed near or above a heat source. The decision to install a television near or above a Mendota fireplace rests solely on the consumer. It is the consumers responsibility to satisfy television specifications and ensure the television will not exceed maximum operation temperatures. Mendota Hearth will not be held liable for any adverse effects on a television or other products located near to a Mendota Hearth fireplace.

The drawings below show recommendations that may be used as a guide for those consumers that decide to locate a television above a Mendota Hearth fireplace. These recommendations have been found to reduce the heat impact to a television when installed above a Mendota Hearth fireplace.

3.2.5.1 Recommendation 1: Add a mantel

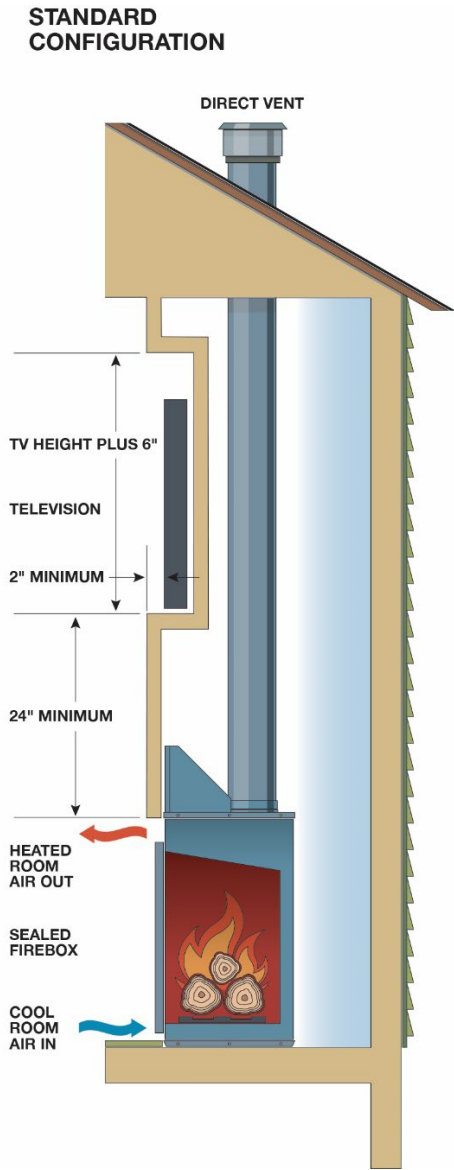
Add a mantel above the fireplace. The mantel shall be at least 2 inches deeper than the depth of the television, and at least as wide as the television. The mantel shall be mounted so that its top surface is a minimum of 18 inches above the top air gap of the fireplace.

Attention: If the mantel is constructed of combustible materials, make certain that the entire mantel meets the clearances to combustible mantel requirements.



3.2.5.2 Recommendation 2: Create a recessed cavity

Frame a recessed cavity above the fireplace. The cavity shall be at least 6 inches taller and 6 inches wider than the television. The cavity's bottom surface must be a minimum of 24 inches above the top air gap of this fireplace. The cavity must be deep enough for the television to be recessed at least 2 inches in from the wall.



3.2.6 Venting

The D30 Insert must be vented vertically to the outside and must use one of the approved co-linear flexible ducting systems or a coaxial flexible ducting system. Mendota recommends that both exhaust and air intake flex liners be run all the way to the vent cap. Seals between flex liners and unit top and vent cap must be permanent and as airtight as possible. **Do Not Use any silicone sealants at flex pipe joints. Stove gasket cements may be used at pipe joints but is not required.** Do use both securing screws and hose clamps at all four flex connection points.

3.2.6.1 Maximum and Minimum Vent Lengths

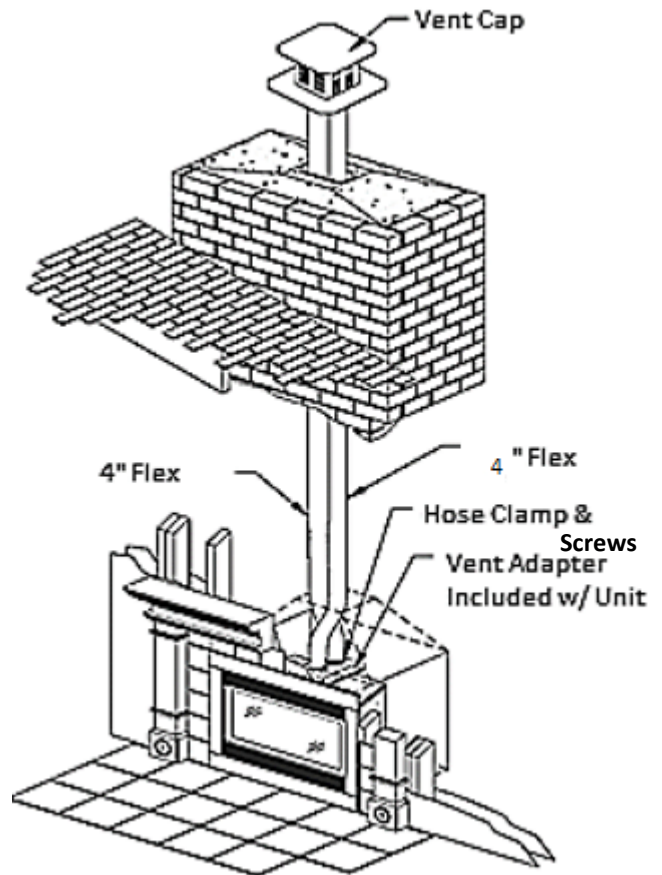
Minimum vent run length required is 10'. Maximum vent run allowed is 50'. Only vertical terminations are allowed. No horizontal runs are allowed within the vent system. Horizontal offsets of less than 4' are approved if the offset is angled at least 30-degrees vertically.

3.2.6.2 Run Liners to Vent Cap

When existing wood burning chimney size allows, run both the 4" exhaust liner and 4" air intake liner to the vertical vent cap. If existing wood burning chimney size is too small to run both 4" and 4" liners, consider converting to a coaxial flex system using a 4" exhaust flex and 6" air intake flex with spring spacers between the two flex pipes or converting to a B-Vent single liner system.

3.2.6.3 Air Intake Liner Stubbing

When existing wood burning chimney, size is too small to run both 4" and 4" colinear liners, it is an option to use the Coaxial Vent Kit or to cut the air intake flexible duct short and run only the 4" vent flexible duct to the vent cap connector. This is generally called "stubbing". However, understand that doing so may lead to venting problems when weather storms approach. Variations between the air pressure inside the home and atmospheric air pressures outside the home can cause venting problems and performance failures. Avoid "stubbing" if chimney flue size allows installation of both liners fully to the vent cap; or consider using a coaxial vent system, instead.



Basic Vent System

3.2.6.4 MENDOTA RECOMMENDED VENT COMPONENTS AND VENT KITS LIST

MENDOTA RECOMMENDED VENT COMPONENTS AND VENT KITS LIST	
NOTE: Mendota recommends that you use one of the two vent caps listed below. Mendota has thoroughly investigated, designed, and confirmed by testing that these two caps perform flawlessly during high wind speeds up to 40 MPH. Comparable tests on vent caps other than those listed below did not yield comparable results.	
AA-11-01413	MENDOTA INSERTS COLINEAR DIRECT VENT KIT, 4" X 4"
AA-11-01414	MENDOTA INSERTS COAXIAL DIRECT VENT KIT, 4" X 6"

3.2.6.5 Fireplace insert and Chimney Cleaning Requirements

The plan to install a gas fireplace Insert must include inspection and cleaning of the fireplace insert cavity and the entire chimney system. The chimney top, especially masonry chimneys and wood framed chimney tops must be inspected, and the top surface must be repaired or replaced, if necessary. Unlined chimney flues are the most vulnerable to mortar corrosion and damage. These flues must be inspected, and repair must be done before dropping the flex vent liner for this Insert.

If you encounter a badly deteriorated or completely damaged firebox, do not proceed. These damaged structures must be reviewed by structural Engineers and Local Building Code officials must approve the repair work prior to this Insert being installed in such a damaged cavity.

Mendota requires that the fireplace insert cavity and chimney system be cleaned per the Chimney Safety Institute of America recommendation prior to installation of a Mendota gas fired Insert. The Chimney Safety Institute of America recommends that open masonry fireplace inserts should be swept at 1/8" of sooty buildup, and sooner if there is any glaze present in the system. This is considered to be enough fuel buildup to cause a chimney fire capable of damaging the chimney or spreading to the home. Factory-built fireplace inserts should be swept when any appreciable buildup occurs. The logic is that the deposit is quite acidic and can shorten the life of the fireplace insert.



Damaged Chimney Cap



Unlined Flue

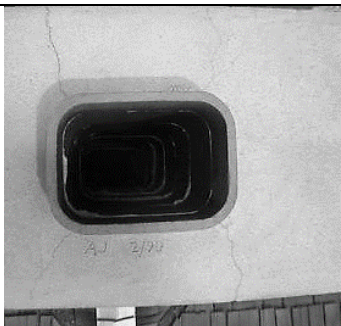


Badly Deteriorated Firebox

WARNING: Failure to inspect and repair or replace damaged or dilapidated chimney flue, firebox or chimney top caps can lead to odor emissions, water penetration and damage to electronic components of this gas Insert or damage to other home structures. This omission to inspect, repair or replace as necessary will void all applicable warranties on this product.

3.2.6.6 Types of Chimney Flues

Chimney flues can vary in shape, size, and type. During inspection, make note of the type of the flue system used. Professionally clean and make any repairs before installing a Mendota gas Insert. Especially, pay attention to unlined flues which may have missing or severely damaged mortar joints.



Clay Tile Liner Flue



Unlined Flue

3.2.6.7 Types of Chimney Tops and Vent Caps

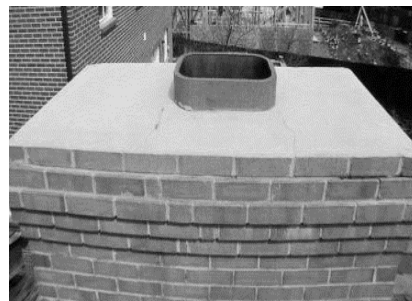
Chimney tops vary in shape and size and configuration. The vent cap selected for installation will require some modification to fit various chimney top types. Consult with your vent supplier.



Single ZC Flue Cap



Clay Liner Cover



Open Top Clay Liner



Metal Cap on Clay Liner Chimney Top



Stone Cap Chimney Top



Concrete Cap Chimney Top

For installation of this Insert's vent cap with chimneys that have an existing metal, stone, or concrete cap. Do Not use "low profile" vent caps. They are vulnerable to exhaust recirculation and ghosting flames problems. Always use full size vent caps and allow a minimum 3" clearance from vent cap top to the chimney cap. For wider chimney caps and slabs, greater than 16" wide, increase the clearance above the vent cap to 6" minimum. If necessary, raise the slab to supply the required clearance.

3.2.6.8 Side by Side installation of two Vent Caps

When two or more vertical vent caps are located within proximity of one another, it is required that a galvanized steel 18-gauge or heavier barrier wall be installed between the two vent caps to eliminate recirculation of exhaust gases from one cap to another.

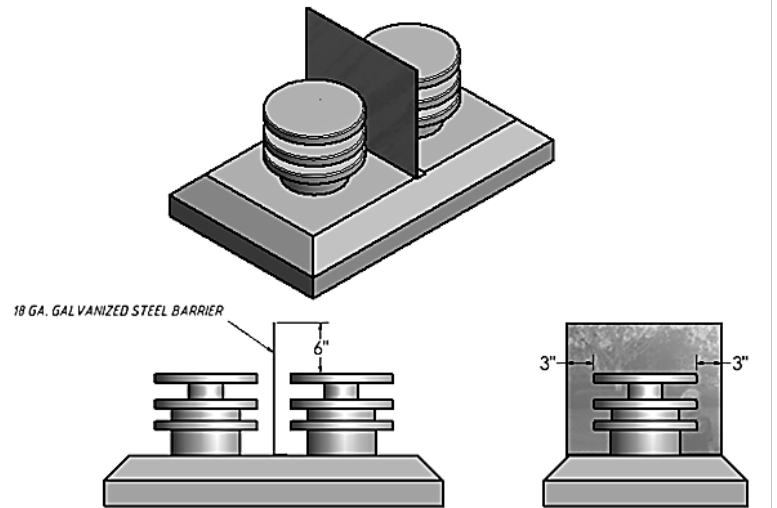
The galvanized steel barrier shall be 6" taller than the highest point of the vent caps and shall be 3" wider past the outer edges of the vent caps.

If two gravity direct vent system gas appliances are terminated next to each other, the minimum required distance between the vertical center line of the vent caps is 18" to prevent recirculation of exhaust from one vent cap outlet into the air intake of another vent cap.

If a wood burning flue opening is adjacent to a gravity direct vent system gas appliance vent cap and the distance between vertical center lines of the two terminations is less than 36", we recommend a metal divider plate be installed to prevent wood burning exhaust from entering the gas appliance air intake path. Alternatively, you may also vertically extend the wood burning flue liner up 24" higher than the top surface of the gas appliance vent cap.



Side by Side Flues



Side by Side Vent Caps

3.3 ELECTRICAL TECHNICAL REFERENCES

3.3.1 AC Power Requirements

WARNING: Label all wires prior to disconnection when servicing controls. Wiring errors can cause improper and dangerous operation. Verify proper operation after servicing.

For blower operation, 120VAC, a 2 Amp power source is required. The AC power supply to this Fireplace insert must be hot at all times and shall not have a switch installed in it.

This appliance is equipped with an electrical junction box on the left side.

1. Place connected wire ends within junction box then close and secure the junction box cover plate.

3.3.1.1 AC Power Connection Option

Two options exist for supplying 120 VAC power to this appliance:

1. Run the 8-foot extension cord connected to the blower circuit out of the fireplace insert cavity to a wall electrical outlet in the room.
2. Install an electrical outlet (inside a metal junction box with metal faceplate) inside the wood burning fireplace insert cavity.

Always use metal flex conduit encapsulated 14-2 cable (MC Cable) to run power from the source to the outlet junction box. Installation of the electrical outlet and its electrical supply cable must conform to all local electrical code requirements.

3. For this application, roll the 8' extension cord in a tight loop and place the loop inside the lower convection chamber of this appliance. Plug the extension cords 3-prong plug into the newly installed junction box.

Notice: Mendota wants to make you aware of current NEC Codes that may be enforced by local authorities. Mendota cannot override local building officials' enforcement of National Electrical Codes. Be aware of these potential requirements.

Notice: Electricity circuits cannot be shared between different floors within a home. This means that you can run a power cable from a basement to the main floor fireplace insert through an ash cleanout opening or by drilling a hole through. However, you cannot tap the power directly from a power circuit in the basement that supplies power to basement lights or outlets. You must run a dedicated power circuit from the main fuse panel to the upper-level fireplace insert

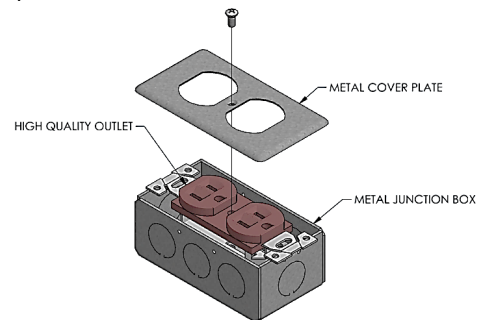
Notice: An MC Cable which enters an electrical junction box must employ a strain relief clamp at the entry point permanently to prevent movement, vibration and disconnection or loosening of electrical connections inside the Junction Box. Not using a strain relief clamp can lead to arcing between loose connections and pose a fire hazard. If an outlet is installed inside a wood burning fireplace insert always use a metal junction box, MC Cable, and strain relief clamps.

Option 1: 8-foot power cord



8-foot Power Cord

Option 2: OUTLET INSTALLATION PROCEDURE



Junction Box and Outlet Installation

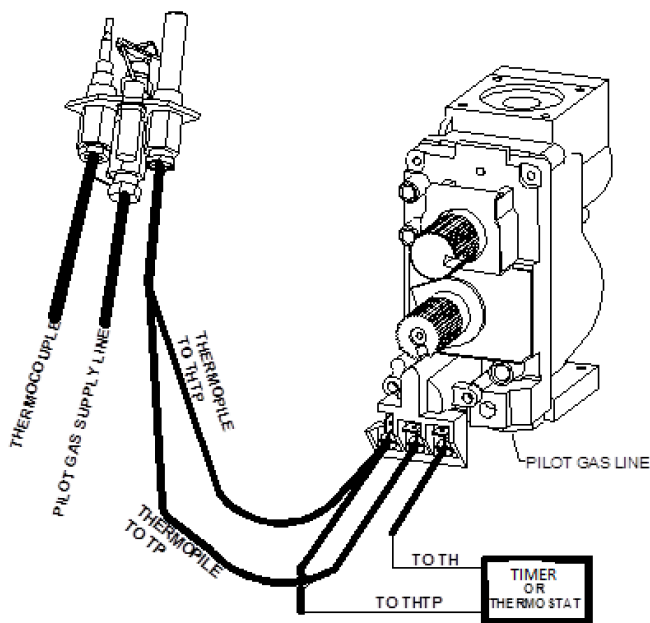
3.3.2 OPERATING DURING POWER OUTAGES

This ignition system utilizes thermocouple and thermopile power for pilot and burner ignition functions. AC power is utilized for blower function only. If the AC power is interrupted during a power outage, you may operate this fireplace insert for one continuous hour on and one continuous hour off cycles only.

During the power outage, the appliance's burners will function. In addition, Flame Height adjustment function will be available using the Hi-Lo knob on the main gas valve. The Fan, which is wholly dependent on 110VAC power, will not function.

3.3.3 Wall Thermostat System Diagram

RECOMMENDED MAXIMUM LEAD LENGTH (TWO-WIRE) WHEN USING WALL THERMOSTAT (CP-2 SYSTEM)	
WIRE SIZE	MAX. LENGTH
14 GA.	100 FT.
16 GA.	64 FT.
18 GA.	40 FT.
20 GA.	25 FT.
22 GA.	18 FT.

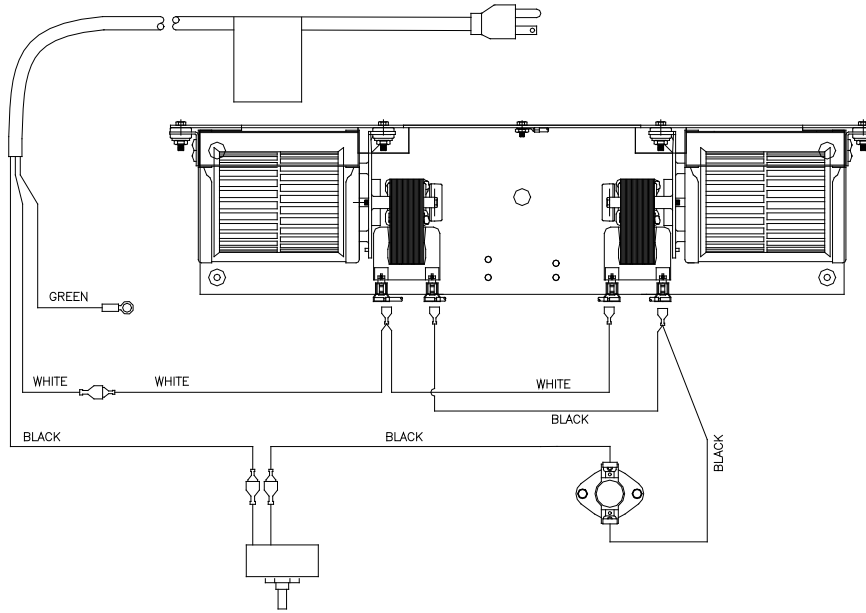


Thermostat Wiring Diagram

Replacement wires must have the same type and size of insulation as the original.

This appliance must be electrically connected and grounded in accordance with local codes or, in the absence of local codes, with the current NFPA 70- National Electric Code or CSA C22.1- Canadian Electrical Code.
Label all wires prior to disconnection when servicing control. Wiring Errors can cause improper and dangerous operation. Verify proper operation after servicing.

3.3.4 Blower System Wiring Diagram



BLOWER SYSTEM WIRING DIAGRAM

3.4 PLUMBING TECHNICAL REFERENCES

3.4.1 Gas Supply Requirements

NOTE: If Fireplace insert is to be operated with LP gas, see Chapter [Natural Gas to LPG Conversion](#) in this manual before proceeding.

CORRECT GAS PRESSURE AND PROPER GAS SUPPLY LINE SIZING IS IMPERATIVE TO THE SUCCESSFUL PERFORMANCE OF YOUR MENDOTA GAS FIREPLACE INSERT. BE SURE THE GAS SUPPLIER OR PLUMBER CAREFULLY CHECKS FOR CORRECT GAS PRESSURE AND GAS LINE SIZING WHEN INSTALLING THE FIREPLACE INSERT.

IT IS CRITICAL TO CAREFULLY CHECK FOR GAS LEAKS WHEN HOOKING UP THE FIREPLACE INSERT. CHECK WITH SOAP AND WATER SOLUTION OR COMBUSTIBLE GAS SNIFFER.

BE SURE TO INSTALL CSST FLEX GAS LINE WITH BRASS-TO-BRASS FITTINGS TO PREVENT GAS LEAKS AT CONNECTIONS.

GAS SUPPLY PIPING MUST INCLUDE A DRIP LEG TO ELIMINATE THE POSSIBILITY OF CONTAMINANTS ENTERING THE GAS TRAIN. ADHERE STRICTLY TO LOCAL AND NATIONAL CODES.

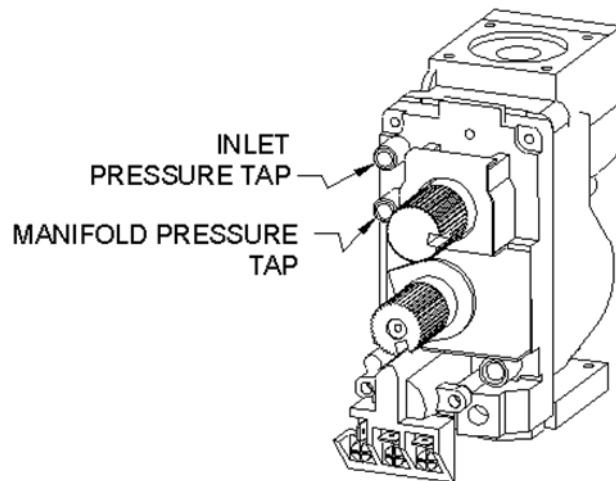
3.4.2 Gas Supply Line Sizing

This Mendota Gas Fireplace Insert comes equipped with a 1/2" N.P.T. Female inlet. Gas supply piping can enter the Fireplace Insert cabinet on the left or right side.

Use the table, below, to determine the proper gas line diameter that must be installed to run from the supply regulator to the inlet end of the main gas valve. Refer to the following table for proper gas pipe diameters.

PIPE LENGTH [FEET]	SCHEDULE 40 PIPE INSIDE DIA.		TUBING, TYPE L OUTSIDE DIAMETER	
	NAT.	L.P.	NAT.	L.P.
0-10	1/2" [1.3 cm]	3/8" [1.0 cm]	1/2" [1.3 cm]	3/8" [1.0 cm]
10-40	1/2" [1.3 cm]	1/2" [1.3 cm]	5/8" [1.6 cm]	1/2" [1.3 cm]
40-100	1/2" [1.3 cm]	1/2" [1.3 cm]	3/4" [2.0 cm]	1/2" [1.3 cm]
100-150	3/4" [2.0 cm]	1/2" [1.3 cm]	7/8" [2.3 cm]	5/8" [1.6 cm]
150-200	3/4" [2.0 cm]	1/2" [1.3 cm]	7/8" [2.3 cm]	3/4" [2.0 cm]

NOTE: Some areas allow copper tubing or galvanized pipe - check with local approval agencies and codes NEVER use plastic pipe.



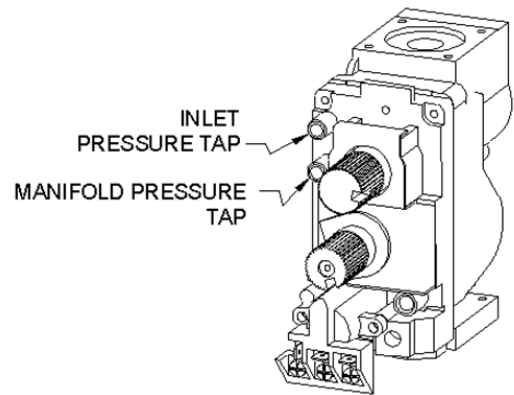
Gas Pressure Test Ports

3.4.3 Gas Pressure Requirements and Checking

Two pressure taps for checking input and output gas pressures are located on the main gas valve. A qualified installer should use this fitting for setting the correct gas pressure during initial installation.

The appliance and its appliance main gas valve must be disconnected from the gas supply piping system during any pressure testing of that system at test pressures in excess of 1/2 psi (3.5 kPa).

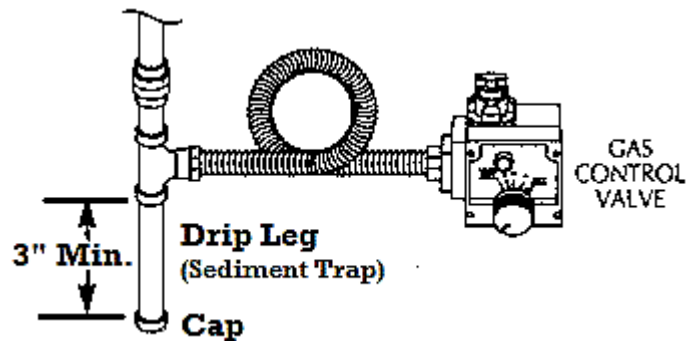
The appliance must be isolated from the gas supply piping system by closing its equipment shut-off valve during any pressure testing of the gas supply piping system at test pressures equal to or less than 1/2 psi (3.5 kPa).



Main Gas Valve

3.4.4 Drip Leg Recommended

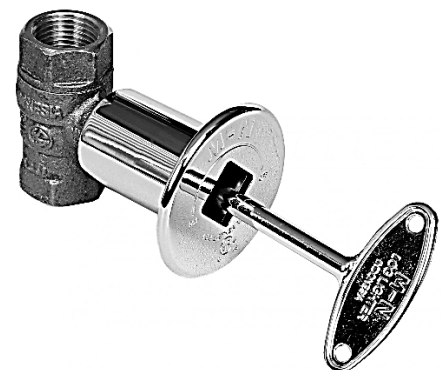
It is recommended that a drip leg/sediment trap is installed within the main gas supply line serving this appliance.



Drip Leg/ Sediment Trap

3.4.5 Manual Gas Shutoff Valve Requirement

If local building codes require one, obtain an external keyed wall-mounted or floor-mounted manual gas shutoff valve approved per local gas plumbing codes and install per local gas plumbing codes in the specified location. Local requirements supersede all other codes.



Keyed Manual Gas Shutoff Valve

3.4.6 Factory Installed Manual Gas Shutoff Valve

A manual gas shutoff valve is factory installed and located in the lower convection chamber at the end of the flexible appliance connector. To operate the manual gas shutoff valve, rotate the red shutoff handle clockwise to open and counterclockwise to close.

3.4.7 How to Run Gas Line to Insert Location

Caution: Before you run the gas line, read, understand, and properly calculate the required gas line size. Improper (too small) gas line size application can lead to improper burner ignition and can cause property damage and/or injury. If you are not qualified or certified to run a gas line, do not proceed. Contact a qualified Gas Plumber.

Note: If the factory-built fireplace insert has no gas access hole(s) provided, an access hole of 1.5 in (37.5 mm) or less may be drilled through the lower sides or bottom of the firebox in a proper workmanship-like manner. This access hole must be plugged with non-combustible insulation after the gas supply line has been installed.

It is recommended that you run the main gas supply line end to the left side of the wood burning fireplace insert cavity. The gas valve and flexible gas connector supplied with this fireplace insert will exit at the rear wall left edge or the left wall rear edge, when facing this unit.

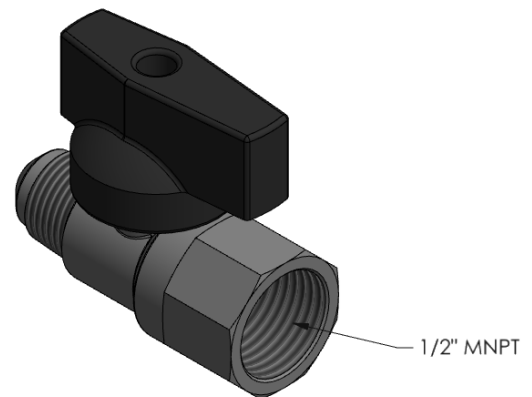
The factory supplied flexible gas connector is 4' long and provides 32" of loose flex outside the Insert body. Create a vertical flexible loop with the excess flex connector length so it aids in pushing the unit into the cavity without damage to the flex connector and aids in preventing damage when Insert is pulled out during service work.

3.4.8 Gas Inlet Fittings Information

Caution: Before you run the gas line, read, understand, and properly calculate the required gas line size. Improper (too small) gas line size application can lead to improper burner ignition and can cause property damage and/or injury. If you are not qualified or certified to run a gas line, do not proceed. Contact a qualified Gas Plumber.

The gas inlet fitting supplied with this Fireplace insert provides a 1/2" male NPT fitting. This requires you to supply a 1/2" NPT female fitting for connection to this appliance.

Based on the gas line size you have selected use an appropriate NPT fitting to adapt and connect to the 1/2" female NPT end.



BALL VALVE INLET

3.4.9 Gas Input Rate Verification

3.4.9.1 Natural Gas Input Rate Verification

1. Verify main orifice size. The main orifice body has the orifice hole size stamped on it. NG orifice size shall be #35 for all elevations.
2. Verify that the Manifold Gas Pressure is within 3.5" WC +/- 1/8". Once setup, read the main home gas supply meter reading.
3. Write the initial reading here >> initial gas meter reading _____
Turn off all other appliances and their pilot flame in the home.
4. Run this appliance for a period of 30 minutes on maximum flame size. Turn off main burner and pilot flame. Read the main home gas supply meter reading after the 30 minutes of burn time.
5. Write the reading here >> final gas meter reading _____
Calculate the following:
6. FINAL GAS METER READING - INITIAL GAS METER READING...Subtract initial gas meter from final gas meter reading. This will yield the number of Therms used during the 30-minute burn time.
7. Multiply the result in Item #6 by 100,000.
8. Multiply the result in Item #7 by 2. Write down the result here >> _____
9. The result in item #8 shall be at least the maximum input rate (30,000 Btu/hr.) for all altitudes.

3.4.9.2 LPG Input Rate Verification

Verify main orifice size. The main orifice body has the orifice hole size stamped on it. LPG orifice size shall be #52 for all elevations.

Verify that the manifold gas pressure is within 10.0" WC +/- 1/8".

3.4.10 High Altitude De-Rating

If you are de-rating this appliance at a high altitude, attach the High-Altitude De-Rating Label, supplied in the Owner's Manual Packet, to the back surface of the listing label plate located in the air gap on the side of the Fireplace insert. If you are also converting the Fireplace insert for LP Gas attach the labels included with the conversion kit to the same surface. Prior to attaching the label, fill in all the information that is requested on the label.

For installations from 610-1370 meters (2000-4500 ft.) the orifice size (DMS) for Natural Gas is #36 and Propane Gas is #53, respectively. See data plate for additional information. For high altitude installations consult the local gas distributor or the authority having jurisdiction for proper rating methods. If the installer must convert the unit to adjust for varying altitudes, the information sticker must be filled out by the installer and adhered to the appliance at the time of conversion."

This appliance has been converted for use at an altitude of:	
Orifice size:	Manifold Pressure:
Input (Btu/h):	Fuel Type:
Date of conversion:	Converted by:

Cet appareil a été converti au ____ Injecteur ____ Pression à la tubulure d'alimentation ____ Débit calorifique _____

4 INSTALLATION INSTRUCTIONS

4.1 INSTALLATION CHECKLIST

The instructions provided in this chapter are arranged in the sequence of occurrences.

This installation checklist is supplied as a guide for installers to follow step by step. As you complete each step of the installation work, check mark the completed work item in the list, below. All items in this installation checklist must be completed. When all work is complete, fill in your name and the date this installation was completed.

- Unpack the Fireplace insert body.
- Open and inspect the Manual Packet.
- Unbolt the Fireplace insert body from the wooden pallet.
- Remove the shipping clips.
- Install Leveling Bolts if applicable.
- Open the Insert Glass Door.
- If planning to burn LPG, perform the NG to LPG conversion work.
- Prepare the Woodburning fireplace insert cavity.
 - Clean fireplace insert cavity.
 - Remove refractory liners if necessary.
 - Lock wood burning vent damper in open position or remove if it does not allow enough space for 4" and 4" liners entry.
- Prepare the existing chimney system.
 - Make certain wood burning chimney has been professionally cleaned if inspection deems necessary.
 - Make certain wood burning chimney inner surfaces are inspected and repaired or replaced, if needed.
 - Make certain chimney top cover is inspected and repaired or replaced, if needed.
- Measure chimney Length (minimum 10' vent flex run is required; maximum allowed length is 35').
- Install Vent System.
 - Run both 4" exhaust and 3" air intake liners all the way to vent cap if existing chimney size allows.
 - Sealant is not required at vent joints. **Do not use silicone sealants in flex vent connection joints anywhere.**
 - Attach flex pipe ends to vent cap stubs using both screws (not supplied) and hose clamps (supplied) to attach flex to vent cap stubs. Sealant is not required at the flex to vent cap stub joints.
 - Slide flex pipes down the chimney, being careful not tear or damage the flex liners.
 - Connect the bottom flex open ends to the unit top sliding vent adapter. Use both screws and hose clamps. sealant is not required at the flex to sliding vent adapter joints.
 - 120 V electrical service and gas supply is installed in accordance with instructions and local and national codes.
- Connect Gas Supply to the Fireplace insert. Verify that gas pressures are proper and perform a complete leak test of all field installed gas joints and factory installed gas train joints using a gas sniffer.
 - Verify orifice size.
 - Verify gas input rates.
- Connect Electrical Supply to the Insert.
- Install Insert body into wood burning fireplace insert cavity.
- Install a surround on the Insert body.
- Install firebox inner liner kit. Follow instruction supplied with the Liner Kit.
- Install log set, coals and inswool media.
- Test fire Insert.
- Teach consumer all functions of this insert
- Complete warranty registration at <http://mendotahearth.com/gas-fireplace-insert-and-stove-registration>

This installation was performed and completed by:

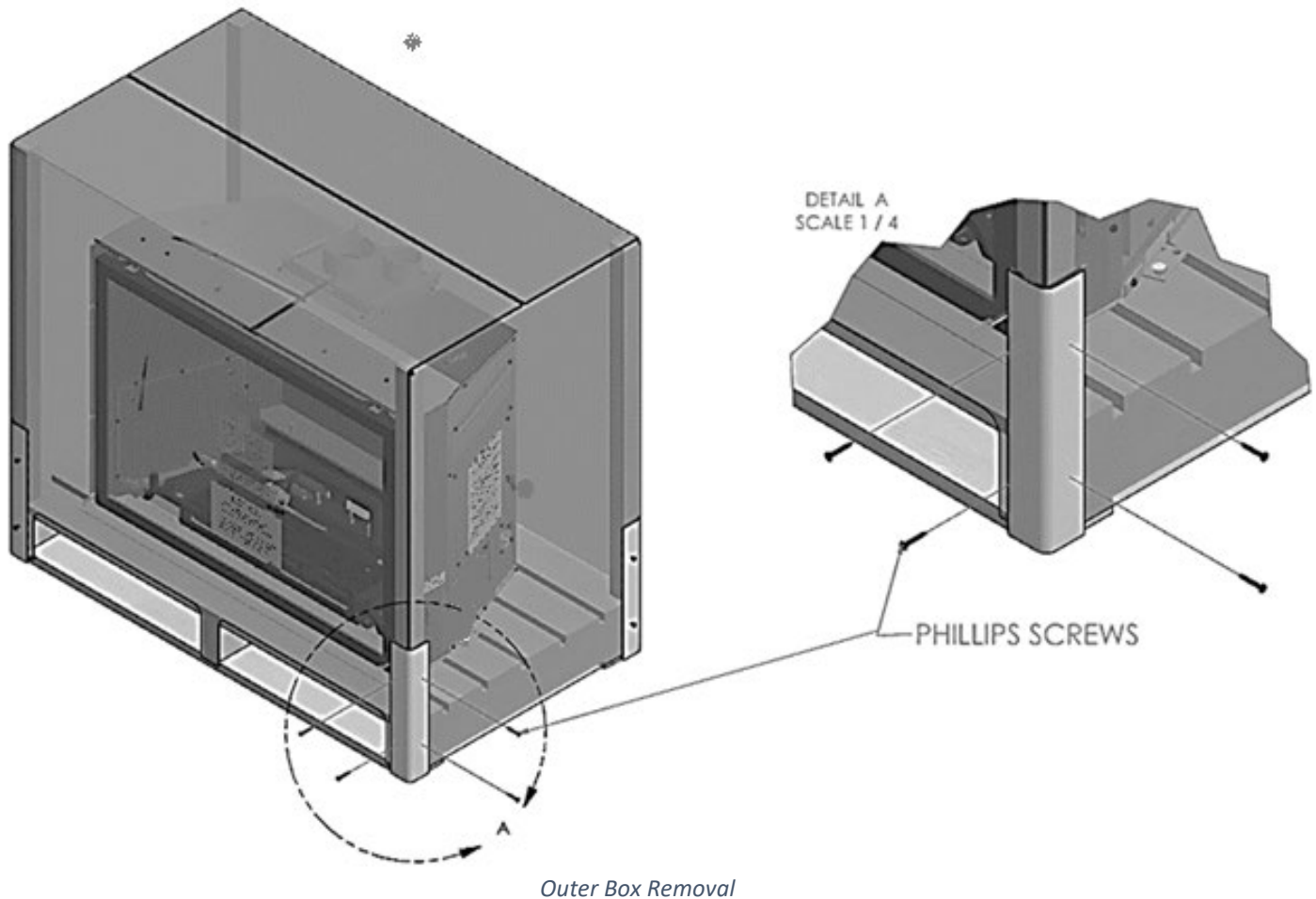
Date:

4.2 PREPARING FOR INSTALLATION

4.2.1 Unpacking the Fireplace insert


The Fireplace Insert arrives from the factory on a wooden pallet with a cardboard box encasing the pallet and Fireplace insert. To remove the outer box, identify and remove four Philips head drywall screws that secure a cardboard L pincher at the bottom of each corner of the box.

Lift the outer box vertically straight upward until lower edge of the box clears the top of the unit body. Set the box aside. Mendota recommends recycling the outer box.



4.2.2 Contents of the Manual Packet

Once the outer box is removed, you will find the Fireplace insert body and a manual packet. This manual packet includes the items shown in the table, below. Contact Mendota Technical Service if any parts are missing.

Owner's Manual. Must Leave with Homeowner.	This Manual
3/8-16 x 2-1/2" Bolts (Qty 4) #05-01-00112	

Manual Packet Contents

4.2.3 What is included with this Appliance?

A red brick firebox liner and a premium fiber log set are included with this appliance. The liner is factory installed inside the firebox. The log set is contained within a foam packaging and placed inside the firebox.

A manual ON /Off switch is included and wired into the ignition system of this appliance.

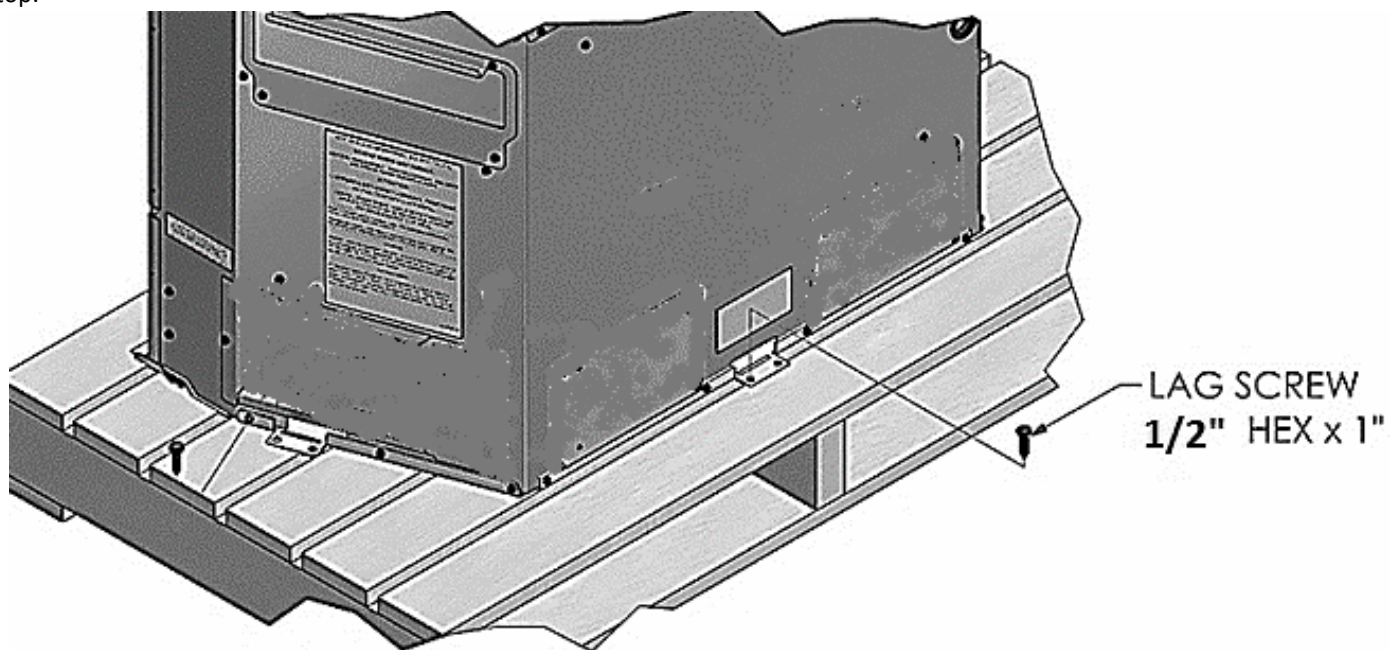
4.2.4 What is not included with this Appliance?

Decorative fronts are not included with this base Fireplace insert product. One of many decorative Fronts options must be selected and purchased separately.

A wall thermostat is not included.

4.2.5 Unbolting Fireplace Insert from Pallet

The Fireplace Insert body is bolted to the pallet top surface using 5/16" X 1" Lag Screws through shipping clips. One on each side and one or more at the rear. Use a 1/2" socket and wrench to remove the lag screws and detach fireplace insert from the pallet top.



Unbolting Unit from Pallet

4.3 LEVELING BOLTS

4.3.1 Leveling Bolts Definition

Four leveling bolts are included in the manual package. The leveling bolts allow for a ¼" minimum to 2" maximum leveling ability. Leveling bolts are designed to adjust for uneven fireplace insert floors and yield plumb Insert Body. Use the leveling bolts only if the fireplace insert floor is more than ¼" out of level from one side to another or from front to back. If the fireplace insert floor is less than ¼" out of level, use metal sheet shims in various thickness and build up to needed leveling thicknesses at various points around the appliance.

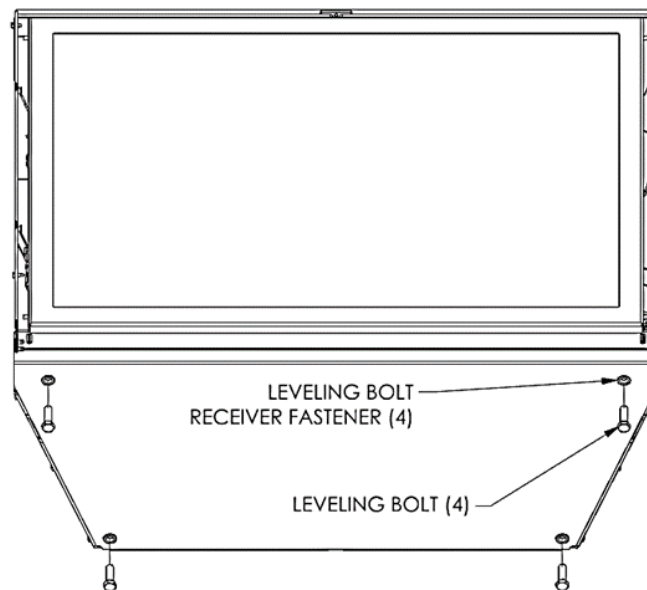
The leveling bolts supplied are designed specifically for application with this product. only use leveling bolts supplied by Mendota and for leveling purposes only. Never use leveling bolts for purposes of lifting unit up to make up for ash lip heights or other lifting or raising needs. Such use can cause extreme thermal expansion of firebox floor and can result in oil canning noise or louder thermal expansion and constriction banging noise. **SUCH NOISE PROBLEMS ARE NOT COVERED UNDER MENDOTA WARRANTY**

Note: When lifting this Insert more than 1", other support blocks will be required. For all applications when you raise the unit more than 1", reline the entire firebox floor with refractory bricks to build up a full level floor for the Insert to sit on. Do not use individual support block only under the four corners of this unit.

WARNING: Failure to position the parts in accordance with these diagrams or failure to use only parts specifically approved with this appliance may result in property damage or personal injury. Never use other after-market leveling bolts. Doing so can lead to vibration noise problems or damage to internal components. **DO NOT USE LONGER BOLTS TO LIFT INSERT UPWARD. THIS CAN CAUSE OTHER SIDE EFFECTS LIKE HEAT EXPANSION/CONTRACTION NOISES.** To lift Insert up, use Firebricks and mortar or a metal box designed specifically for this purpose.

4.3.2 Leveling Bolts Installation

Perform this step after you have measured the firebox floor for level surface characteristics. Tip the Insert body on its back on the wooden pallet. Thread one leveling bolt into each leveling bolt receiving fastener. Thread the bolt in as far as necessary to achieve the leveling effect desired.



Leveling Bolts Installation

4.4 HOW TO REMOVE DOOR

1. Place both thumbs on lower doorframe directly above Spring Loaded Door Holding Bar.
2. Reach fingers under Bar and pull Bar straight out from Fireplace insert front.
3. Pull Bar down and move Bar inward until Bar clears doorframe - then release.
4. Repeat procedure for opposite Holding Bar.
5. Carefully lift door straight up until doorframe "clears" the 3 Door Holding Tabs on top of firebox.
6. Pull door directly out from firebox front

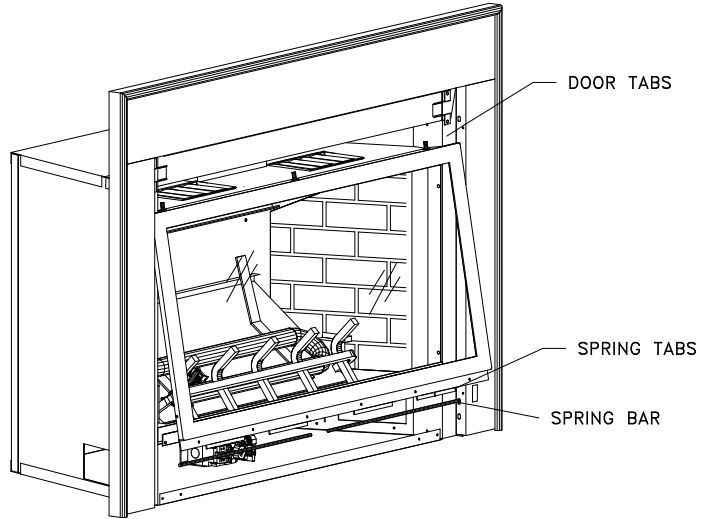
Door is now free from unit.

NOTE: Always check glass gasket condition and gasket seal any time the glass door is removed and when reinstalling glass door.

4.5 HOW TO REPLACE DOOR

1. Center door in firebox opening. Move door inward until the 3 slots on doorframe are directly above the 3 Door Holding Tabs on firebox top.
2. Lower door so the 3 Tabs on firebox top fit through the 3 slots on the doorframe. (i.e., "Hang" door on the 3 Tabs)
3. "Swing in" the lower edge of door until it touches lower firebox front.
4. Pull Holding Bar down and outward (away from Fireplace insert) until it clears doorframe.
5. Raise Bar until it fits securely in Bar Holding Brackets on doorframe.
6. Repeat procedure for opposite Holding Bar.

Door is now connected and sealed to unit.



Door Operation

4.6 NATURAL GAS TO LPG CONVERSION

WARNING

This conversion kit shall be installed by a qualified service agency in accordance with the manufacturer's instructions and all applicable codes and requirements of the authority having jurisdiction. If the information in these instructions is not followed exactly, a fire, explosion or production of carbon monoxide may result causing property damage, personal injury, or loss of life. The qualified service agency is responsible for the proper installation of this kit. The installation is not proper and complete until the operation of the converted appliance is checked as specified in the owner instructions supplied with the kit.

WARNING: Failure to position the parts in accordance with these diagrams or failure to use only parts specifically approved with this appliance may result in property damage or personal injury.

A natural gas to LP gas conversion kit #HA-28-00283 must be ordered and installed in this fireplace insert to burn LP gas.

LP conversion kit #HA-28-00283 contains the following parts: one manual LP pressure regulator, one cap orifice #52, a bell-shaped Pilot LP Orifice and an LP conversion label.

4.6.1 Procedure to Convert Fireplace insert for LP Gas

This fireplace insert arrives from the factory ready to burn natural gas. If you intend to burn LP gas, you must convert this fireplace insert and its pressure regulator, pilot orifice and burner orifices prior to placing this fireplace insert in its fireplace insert cavity.

Follow the step below to prepare this fireplace insert for conversion to LP gas:

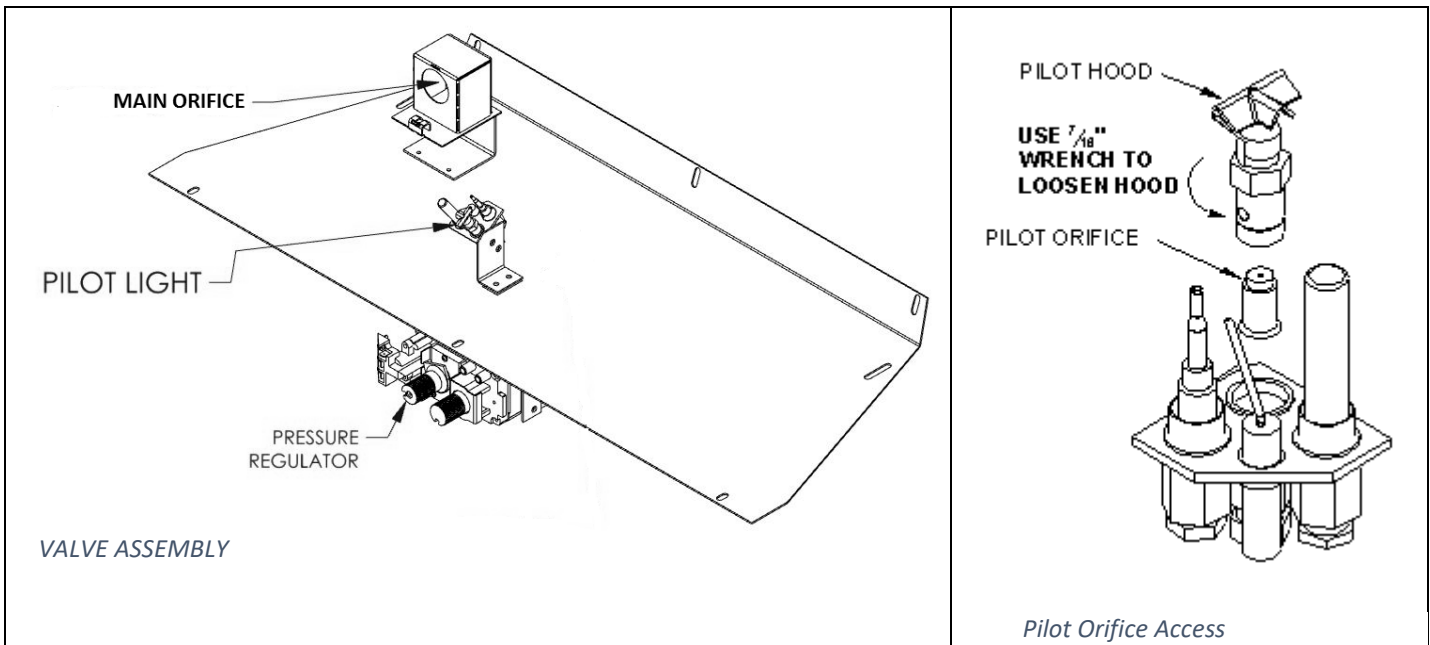
1. Shut off the gas supply to the valve and shut down the electric supply.

Note: Be careful when removing or tightening the screw on the pressure regulator. Care must be taken to ensure a proper seal when tightened.

2. Install orifice #65-14-00052 (#52 drill) as the Main Burner Orifice.

Orifice is removed and installed with a 1/2" deep well socket and ratchet.

3. While holding the pilot base body with large vice grips tightly, loosen the pilot's hex-shaped base using a 7/16" open end wrench. Rotate counterclockwise to loosen. Remove pilot hood and NG pilot orifice. Pilot orifice thimble is located inside pilot hood base.
4. Install LP pilot orifice #05-04-00036 (.014"). Replace pilot hood and tighten.

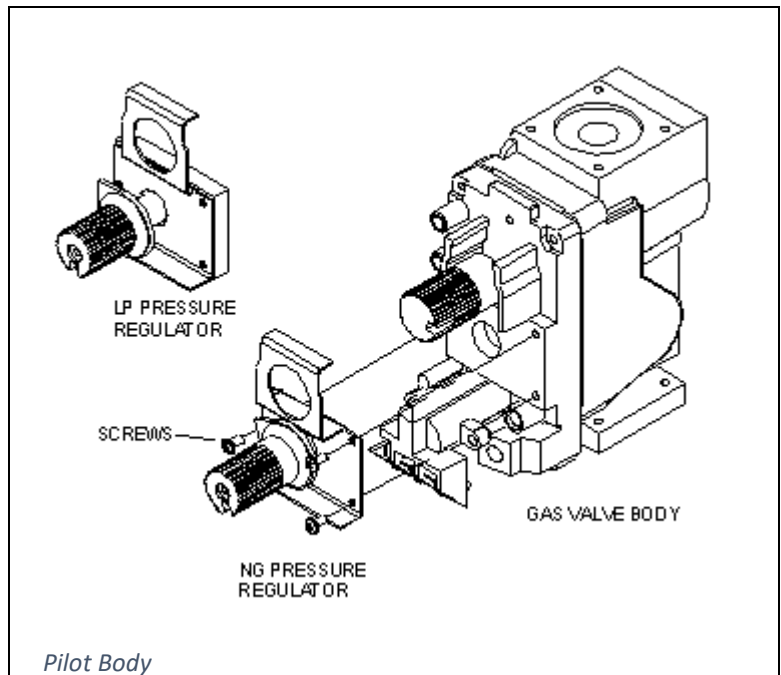


CAUTION: Always use one 7/16" open end wrench and one large pliers or vice grips tool to hold, loosen and tighten pilot hood base to prevent damage to pilot mount bracket.

6. Install the airbox and the burner in their original locations and positions and secure down using screws you removed earlier.

Next, the pressure regulator will be changed.

7. Using a 1/8" flat blade screwdriver, remove 3 screws that secure the NG Pressure Regulator to the gas valve body and remove NG Pressure Regulator as shown above. Identify the pressure regulator spring that is located in the center of the black rubber gasket. Discard both the black rubber gasket and spring.
8. Install the new LP Pressure Regular onto the gas valve body in the same position and orientation as the NG Pressure Regulator you removed in Step 2, above. The LP Pressure Regulator can only be mounted in one position. Secure the LP Pressure Regulator in place using the 3 screws you removed in Step 2. Tighten down using a 1/8" flat blade screwdriver.



4.6.2 Burner Ignition Characteristics

Note: Connect gas supply and verify that the minimum inlet and outlet pressures are conforming.

Once the conversion to LPG and all the above steps have been completed, light the main burners.

Main burner should now light IMMEDIATELY, and flame should not "lift" off burner. If there is any delay in ignition or if flame is "lifting off" burner, turn off burner and carefully check for proper installation of logs/coals, vent system and proper pilot flame impingement on burner. Logs or coals must not block pilot flame or main burner flame. Vent system must be leak proof.

WARNING: Do not proceed with operation of this fireplace insert unless burner "cycles" on/off without delays!

4.6.3 Pilot Flame and Burner Relationship Verification

Prior to completing the LPG conversion process, the qualified service technician must light the pilot light and verify the relationship between the pilot light flames and the main burners. The pilot light flames directed towards the propagation ports on the rear and front burner must overlap the propagation ports on the burners.

The pilot light flames must be a minimum of 1" long and must overlap the propagation ports on both the rear and front burner legs. Verify that the burner tubes ignite quickly, and the burner flames propagate smoothly along the entire length of the burner.

4.7 VENTING

WARNING: Proper installation of the vent system, as required in this manual, is vital to the performance of this Insert. Oversights or failure to conform to all installation requirements will void the applicable warranty.

The D30 Insert must be vented vertically to the outside and must use an approved colinear flexible ducting systems or a coaxial flexible ducting system.

This heater must be properly connected to a venting system in accordance with the manufacturer's installation instructions. Operation of this heater when not connected to a properly installed and maintained venting system can result in carbon monoxide (CO) poisoning and possibly death.

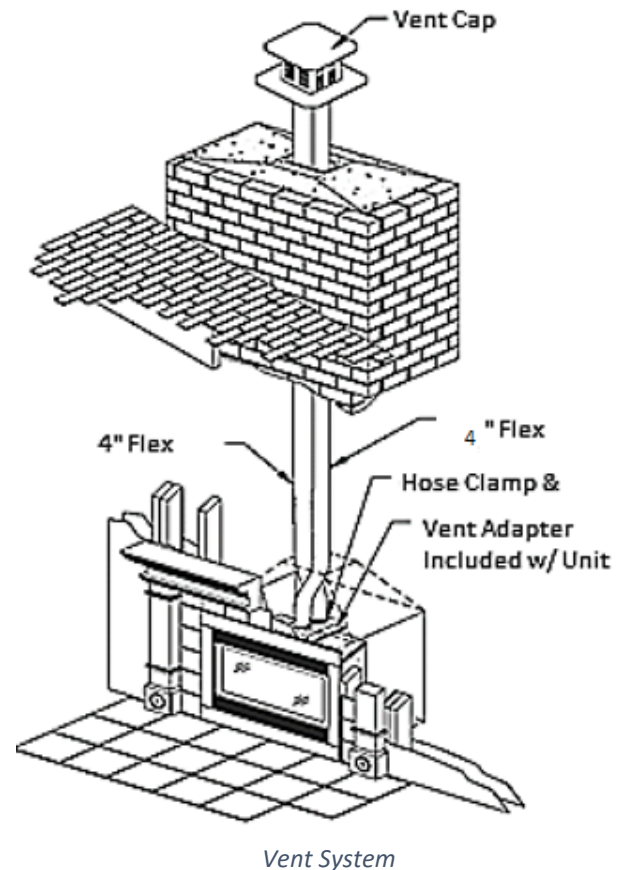
If the vent system of this appliance is disconnected for any reason, the vent and air intake systems must be properly reassembled and resealed before this appliance is put into use.

When existing wood burning chimney size allows, run both the 4" exhaust liner and 4" air intake liner to the vertical vent cap. If existing wood burning chimney size is too small to run both 4" and 3" liners, consider converting to a coaxial flex system using a 4" exhaust flex and 6" air intake flex with spring spacers between the two flex pipes.

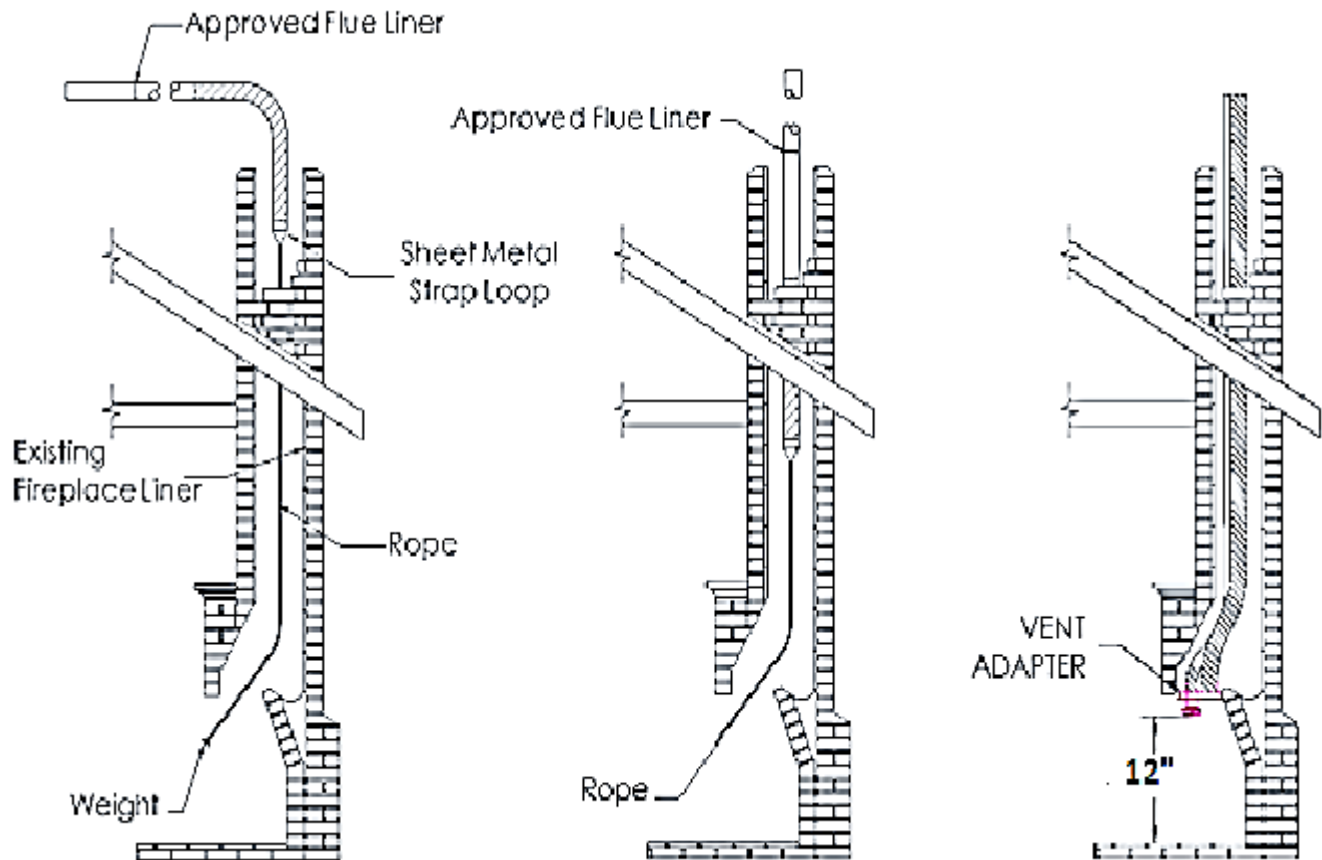
NOTE: Mendota recommends that both exhaust and air intake flex liners be run all the way to the vent cap. Seals between flex liners and unit top and vent cap must be permanent and as airtight as possible. Never use silicone sealants in pipe joints. Use of sealants at flex pipe joints is not required. Do use both securing screws and hose clamps at all four flex connection points.

When existing wood burning chimney flue size is too small to run both 4" and 4" liners, it is an option to cut the air intake flexible duct short and run only the 4" vent flexible duct to the vent cap connector. This is generally called "stubbing". However, understand that doing so may lead to venting problems. Variations between the air pressure inside the home and atmospheric air pressures outside the home can cause venting problems and performance failures.

CAUTION: Each installation must conform to all local, state, and national codes. Refer to the national fuel gas code and local zoning and code authorities for details on installation requirements. The Mendota Inserts must be vented to the outside in accordance with the latest edition of the National Fuel Gas Code. In the absence of local codes, the installation must conform with National Fuel Gas Code ANSI Z223.1 (NFPA 54), or Canadian Code CAN1-B149 or most current edition, also known as NFPA 54. Do not connect this Insert to a chimney flue serving a separate solid fuel or gas-burning appliance.



4.7.1 Dropping Flex Vent Liners



Installing Flex Liners

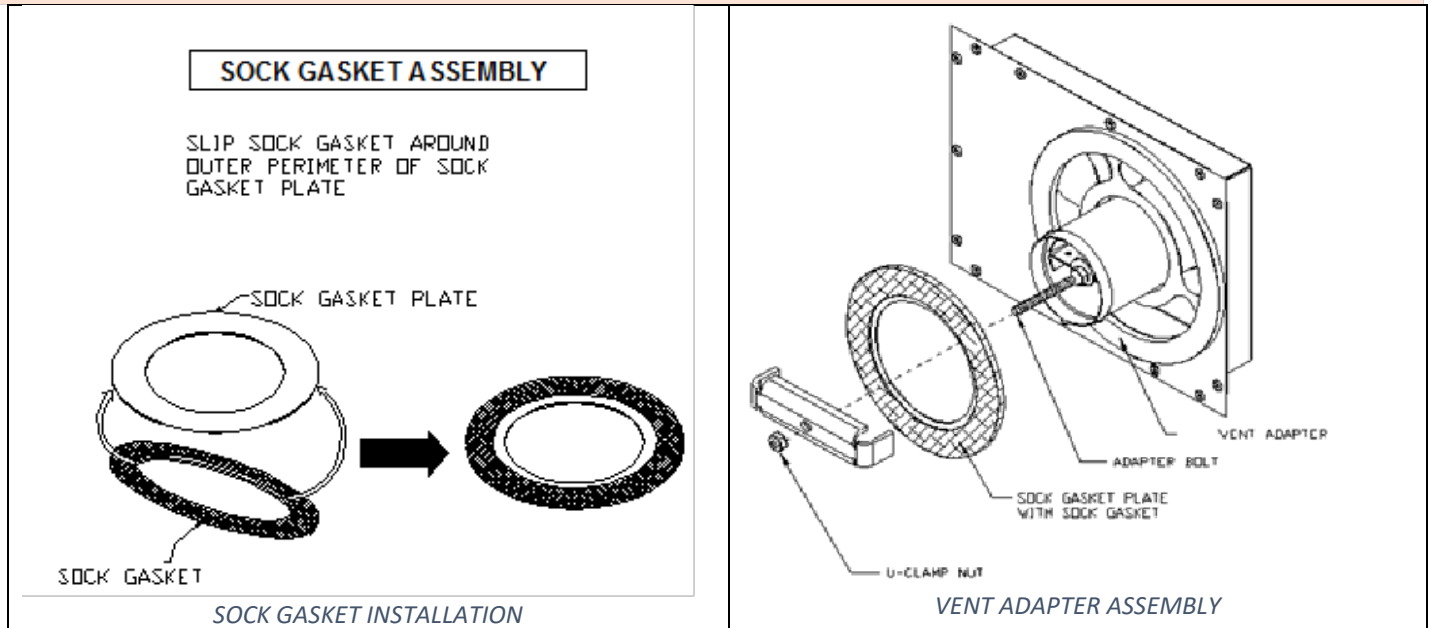
1. Measure the chimney height from the top of the chimney (or the existing flue liner) to a point 12" (300 mm) above the floor of the fireplace insert hearth. It may be necessary to drop a rope and measure the rope itself. Be sure to allow for all offsets in existing chimney. Cut the 4" diameter flex liners to this measured length.
2. Attach a sheet metal strap loop to the flex end of the liner(s) and tie a rope to it. Two installers should proceed to the roof and drop the rope (with weight on the end to make sure it goes all the way down) and insert the 4" liners past the flexible portion, into the existing chimney.
3. One installer should then return to the fireplace insert opening and pull the rope to guide the liner(s) into place through the smoke shelf and the damper opening to a point 12" (300 mm) above the fireplace insert hearth. The person below should wear leather gloves and Safety Glasses during this process to avoid being cut and to safeguard eyes from flying debris.

4.7.2 Sock Gasket Installation

See Figures, below. The Round Sock Gasket (Woven White Fiberglass Material) is required to be assembled on the Sock Gasket Plate (Metal Ring- Donut Shaped) as shown, below.

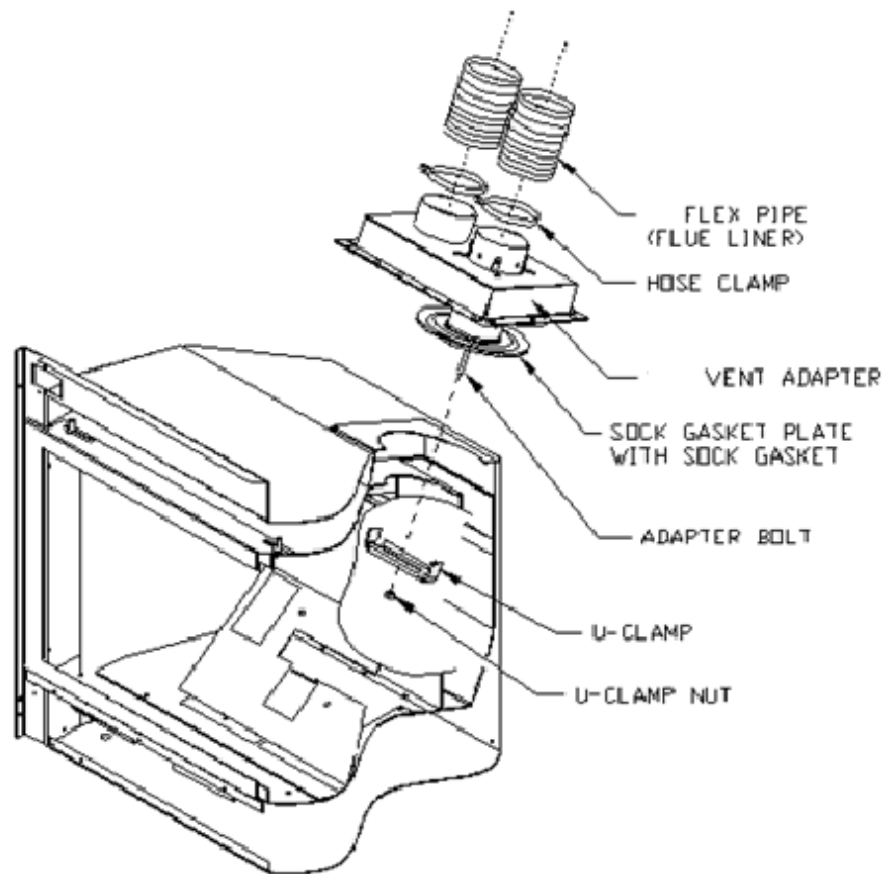
The Sock Gasket and the Sock Gasket Plate Assembly create the seal between the Fireplace Insert Firebox and the Vent Adapter Box. This gasket assembly must be installed as depicted in these instructions.

WARNING: FAILURE TO INSTALL THE SOCK GASKET PROPERLY WILL RESULT IN SOOTING, GHOSTING AND UNACCEPTABLE FLAME APPEARANCE DUE TO EXHAUST GASES RECIRCULATING BACK INTO THE FIREBOX THROUGH THE COMBUSTION AIR INTAKE PATHS.



4.7.3 Vent Adapter Installation Instructions

1. Prior to sliding Insert into Fireplace insert Cavity, attach the Vent Adapter Box (Colinear or Coaxial, depending on your selection) to the two 4" flex pipes [or the 4" and 6" coaxial liners] you dropped down the chimney. Secure the flexible pipes to the Vent adapter starter collars using hose clamps and 4 equally spaced self-drilling screws. Create a proper airtight seal at both pipe connection joints.
2. Remove the ceiling baffle from inside the firebox. Remove two ¼" Hex Hd. Screws that secure the baffle to the firebox ceiling, then slide the baffle out of the firebox.
3. Slide Insert into Fireplace insert Cavity and position it in its approximate final position. From inside the firebox, reach through the 4" hole on firebox ceiling and Slide the Vent adapter through Sock Gasket Assembly then slide this assembly through the 4" hole on firebox top. Sock Gasket must contact firebox top's outer surface.
4. From inside the Firebox, center the Vent Adapter Assembly within the 4" hole at the firebox top. **NOTE: THIS IS CRITICAL. IF NOT CENTERED, AN EXHAUST LEAK CAN OCCUR!**
5. See Figure, below. Slide Adapter Bolt through U-Clamp's center hole. U-Clamp must face upward. Hold the Vent Adapter against the firebox top. Hand thread U-Clamp Nut then tighten U-Clamp Nut using a ½" open-end wrench or a ½" deep-well socket and ratchet. **Tighten the nut enough to compress the sock gasket ½ its thickness and create a proper seal. Do not over tighten, as doing so can permanently damage the vent adapter.**
6. Reinstall the baffle in its original position and secure in place using the two hex head screws you removed earlier.

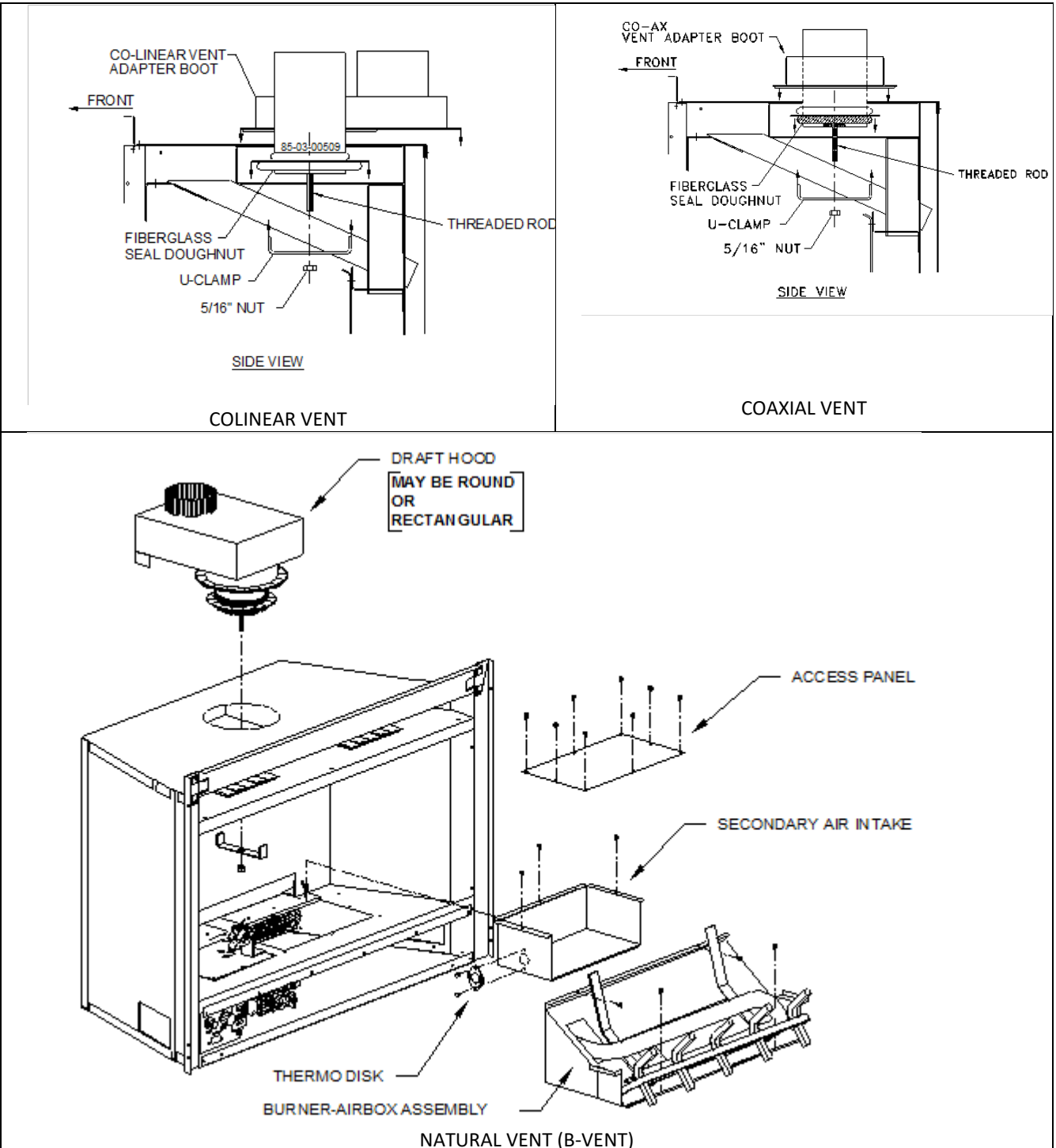


VENT ADAPTER INSTALLATION

4.7.4 Available Vent System Types

3 types of vent systems are available for this Insert model.

Colinear Vent System using 4" Exhaust Liner and 4" Air Intake Liner, Coaxial Vent System using 4" Exhaust Liner and 6" Air Intake liner and a Natural Vent System (B-Vent System) using a single 4" Exhaust Liner. Select one Vent System based on the application and chimney size.



4.7.5 Attaching Flue Liners to Vent Cap

Four hose clamps are supplied with each Mendota vent kit. Four #8 sheet metal screws are needed which are not supplied with Mendota vent kits.

For vent kits (other brands) obtained from other distributors or suppliers, acquire four 4" diameter hose clamps and eight #8 sheet metal screws. Follow these procedures to secure the flexible 4" liners to the Insert Top vent adapter and the vent cap starter collars:

CAUTION: Always inspect flex liners for tears and punctures. If any tears or punctures are found, do not use the liner. Replace the liner with a new one.

Make certain vent cap/ flashing is permanently sealed to chimney top using exterior grade roofing sealants.

1. At the chimney top, attach 4" flex vent to the 4" exhaust starter collar on vent cap.
2. Secure the 4" vent flex to the 4" exhaust starter collar employing one 4" hose clamp and a ratchet. Position hose clamp close to the flashing plate. Compress the flex as much as possible around the starter collar to obtain a tight joint between starter stubs and flex inner surface.
3. Secure the flex liner to the starter collar with sheet metal screws in two equally spaced radial locations and below the hose clamp to stop hose clamp from sliding off.
4. Repeat this procedure for the air intake flex liner.



4.7.6 Sealing the vent cap base plate or flashing to the Chimney Top

Note: It is required that the chimney-top be permanently sealed to prevent cold air and water infiltration into the home.

The vent cap base plate of a square shaped vent cap or the base plate of a co-linear to coaxial vent adapter (chimney top adapter) must be sealed airtight and permanently to the existing chimney top.

To seal to the top of a chimney, follow these steps:

1. Trim the base plate of the vent cap or vent adapter to size and shape desired.
 - a. To seal on top a large flat surface, trim the base plate as desired but allow a minimum of 1" overlap outside the chimney top opening.
 - b. To seal on top of a terra cotta liner, trim the base plate 1-1/2" bigger all around the terra cotta liner outer perimeter. Notch corners and bend the extra 1-1/2" down to make screw-on flanges.
 - c. To seal on top of a steel tubular vent pipe, trim to a size 2" larger in diameter than the existing vent pipe and cut slots into the outer edge of the base plate and bend down multiple tabs to make screw-on flanges.
2. Clean the top surface and side walls of the existing chimney using a stiff wire brush or sandpaper.
3. Blow off all dust and apply a 1/4" diameter bead of exterior grade silicone sealant around the chimney top opening (flat top, terra cotta liner) or the side wall top edges of metal vent pipe.
4. Place base plate on top of chimney top and secure base plate to chimney using appropriate screws.

4.7.7 Attaching Flue Liners to Unit Top Vent Adapter

Once the two flex liners are dropped to the fireplace insert cavity, attach the 4" exhaust flex and the 4" air intake flex to the unit top vent adapter using hose clamps and sheet metal screws

1. At the fireplace insert cavity attach 4" flex vent to 4" starter collar
2. Secure 4" vent flex to 4" starter collar employing one 4" hose clamp and a ratchet. Position hose clamp close to the flashing plate. Compress the flex as much as possible around the starter collar to obtain a tight joint between starter stubs and flex inner surface.
3. Secure the flex liner to the starter collar with sheet metal screws in two equally spaced radial locations and above the hose clamp to stop hose clamp from sliding off.
4. Repeat procedure for 4" air intake flex liner.

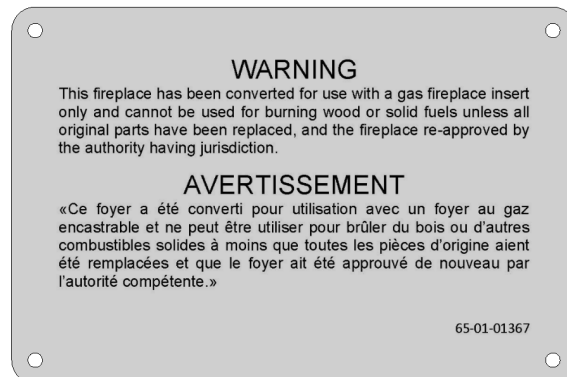


Vent Adapter Flex Connection
Hose Clamp first. Secure w/ Screw above Hose Clamp

4.8 ATTACHING WARNING LABEL TO ZC WOODBURNING FIREPLACE INSERT FLOOR

A Warning Label is supplied with the Installation Manual Packet for this appliance.

Before installing this appliance in the ZC Woodburning Fireplace insert, this label must be mechanically attached to the ZC Woodburning Fireplace insert floor using self-drilling sheet metal screws (not supplied). Secure this label on floor on the floor adjacent to the right or left walls.



Warning Label

4.9 INSERT BODY INSTALLATION

1. Carefully slide Insert body into the fireplace insert opening about 6".
2. Make final Gas Line connections and perform leak tests.
3. Make final Electrical Connections and verify power connection.
4. Install a Surround or Faceplate on the unit.
5. Push Insert Body all the way into fireplace insert cavity until Surround or Faceplate touches the facing material.

4.10 SURROUND/FACEPLATE INSTALLATION

NOTE: Faceplate surrounds are only used for Mendota Door Kits (Andover, Bentley, and Prairie). 3-piece surrounds are used for all other decorative fronts and safety screen only installations.

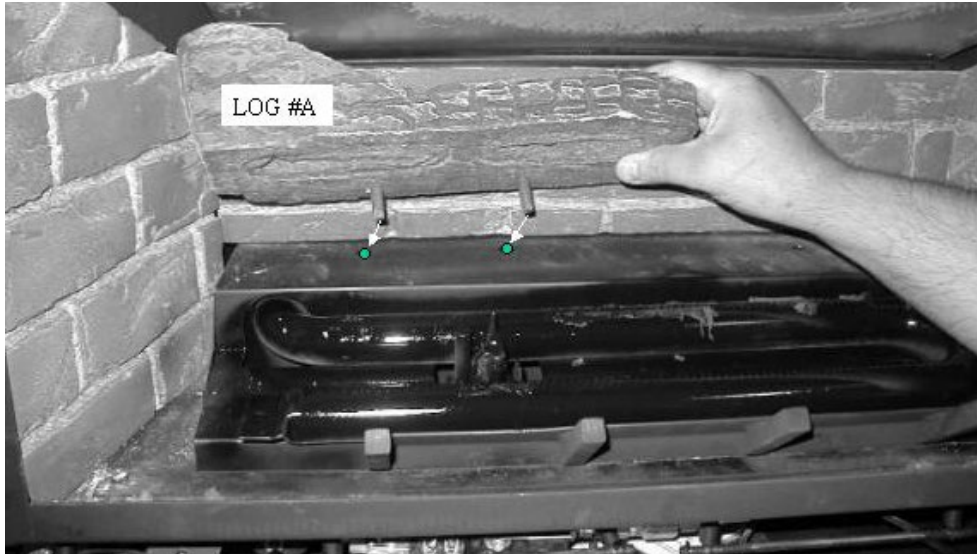
Refer to Installation Instructions included with the Surround Kit or Faceplate kit.

4.11 LOG SET INSTALLATION INSTRUCTIONS

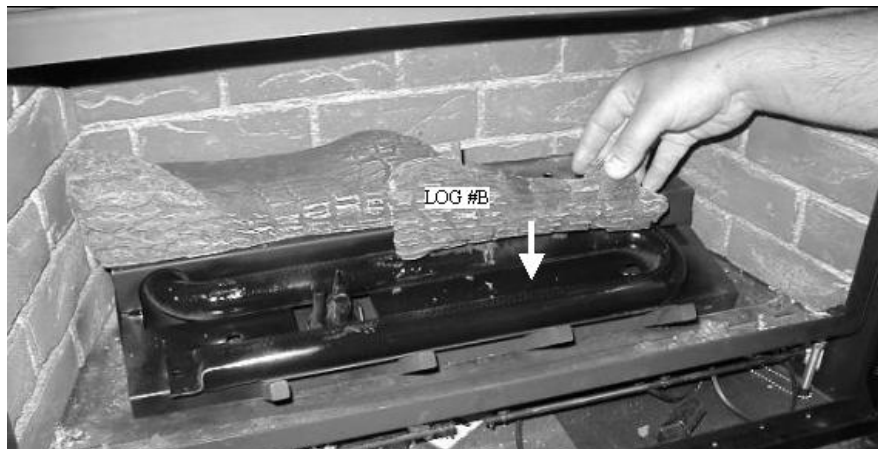
With door removed, carefully remove the log set foam pack from inside the firebox.

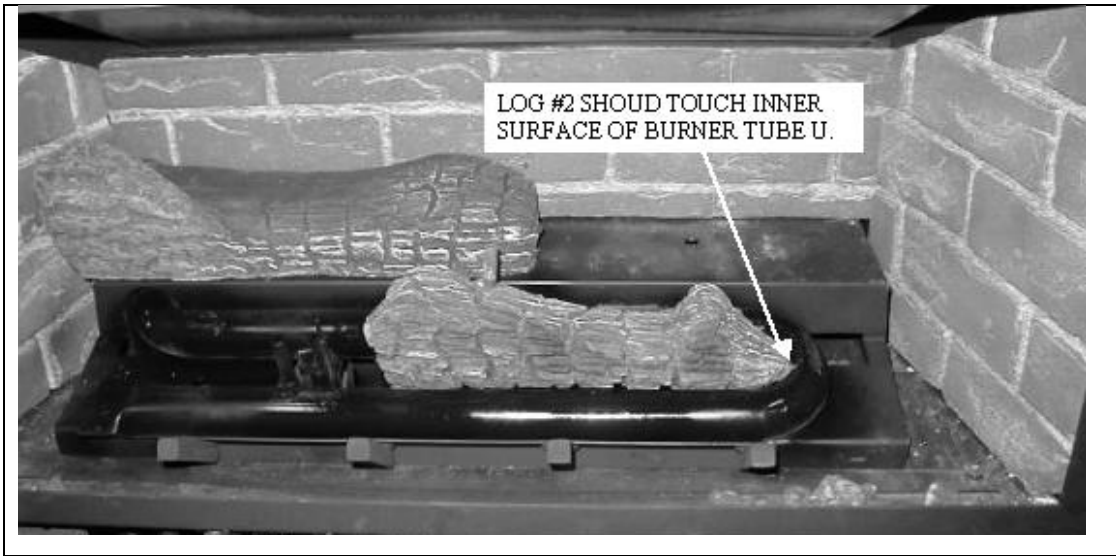
Cut the clear tapes and outer plastic wrap using a sharp utility knife or equivalent. Locate the 2 bags of coals and the log pieces. Identify each log piece, A-F and the Large Chunk coals and small coals per the diagrams on this page:

1. Place Log "A" on rear shelf. Two pins protruding down from Log #A slide through two holes on rear shelf.

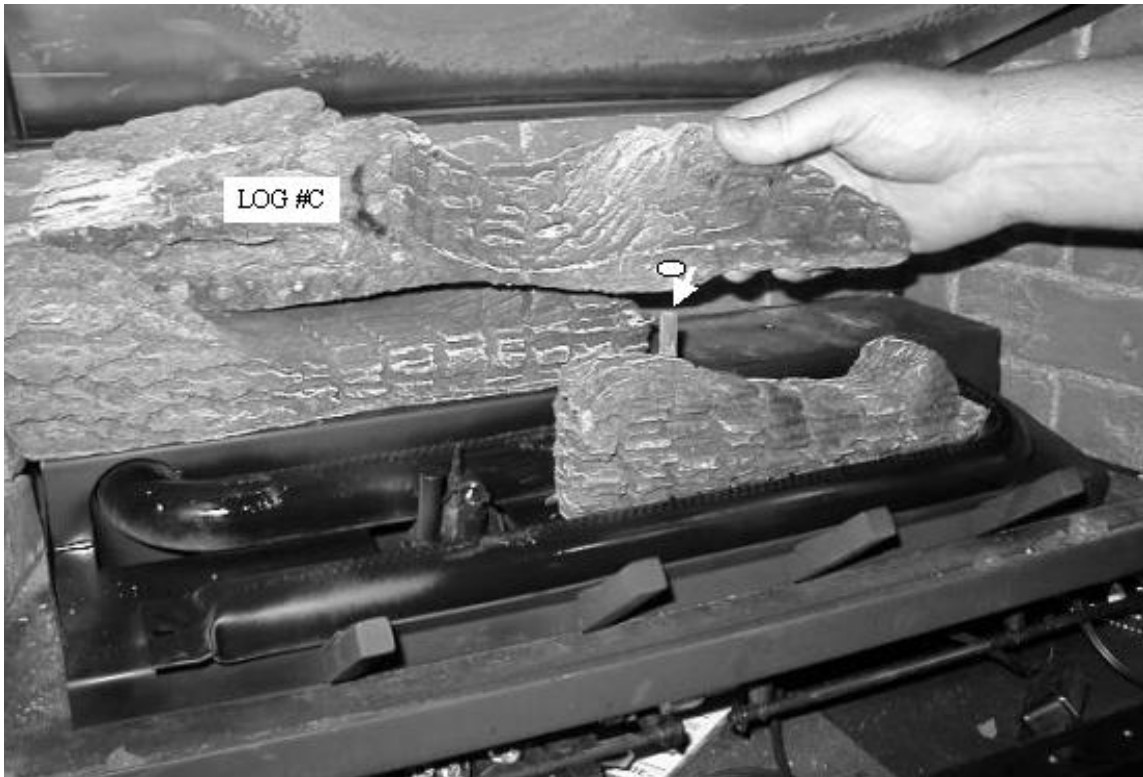


2. Place Log B between rear burner tube and front burner tube, to the right side of pilot light assembly. Slide Log #B to the right until log #B's right tip touches curve in burner tube. as shown below.



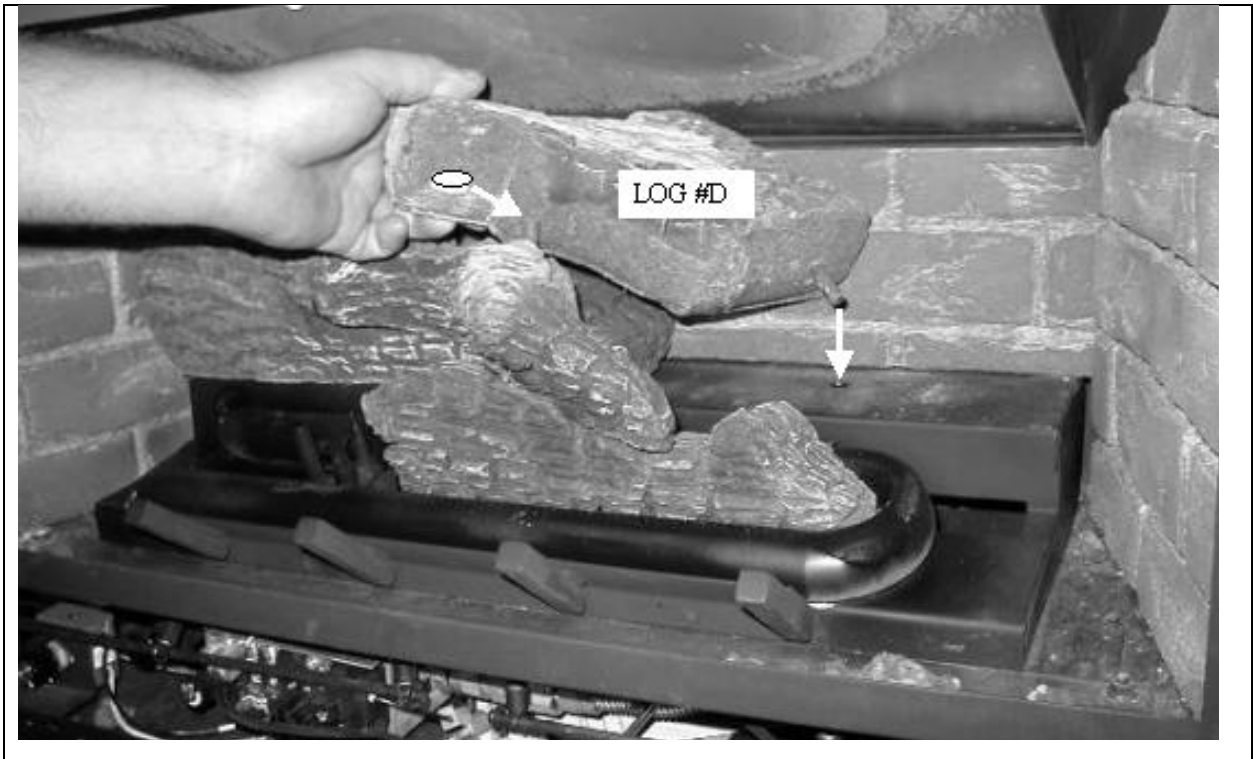


3. Place log "C" behind on top of Log #A and Log #B, as shown. Wide end of Log #C sits on top of Log #A and the pin protruding up from top of Log #B slides into a hole in the base of Log #C.





4. Log "D" has a pin in its base. This pin slides into a hole on the rear shelf, right side. The pin protruding upward from Log #C slides into a hole in the base of Log #D.





5. Place log "E" as shown below to the left side of the pilot light assembly. Look at the diagram at the bottom of this page to determine the exact position of this log. This log should use the center Log Iron bar for support.





6. Log #F sits on the right side, as shown above.

- Place coals on front coal tray ONLY! Be sure to "fill" entire front tray with coals for true "realistic" wood log fire appearance. Coals must not block pilot or burner flame! (Additional coals may be scattered on firebox floor for realism). Placement of coals has a big effect on front burner flame appearance and "glow" of coals.
- More coals = less flame and more glow. Fewer coals = more flame, less "glow".
- Cycle on main burner to ensure the flame runs smoothly around the curved section of the burner and lights front burner with no delays. If there are any delays in ignition or flame movement it will be necessary to check for correct positioning of logs and coals (coals or logs must not block pilot flame or burner flame) and to check pilot flame length.
- Check that the flame is "stable" and not "lifting" off burner. DO NOT proceed with operation unless entire burner lights immediately and flame is not "lifting" off burner.
- Reinstall glass.
- You can now proceed with normal daily operation. In daily operation main burner should always be lit with Insert glass in place.

4.12 LIGHTING CHECKLIST

Be sure to check these items before final operation of the Fireplace insert.

- All items on "Installation Checklist" must be completed.
- Carefully follow all lighting and log installation instructions.
- Check for Gas leaks and gas pressures prior to installing facing materials.
- Air shutter opening 0" to 1/8" for natural gas or 1/4" to fully open for LP gas is checked.
- All lighting and log installation instructions were followed.
- Burners light immediately and flame runs promptly around rear burner and lights entire burner.

Note: Do not proceed with operation unless burner cycles "on/off" without delays.

- Flame is "stable" and does not "lift" off burner. If flame lifts off burner, turn unit off and check that all vent pipes are "twist locked" and leak proof. Do not proceed with operation if flame is "lifting off" burner after first 5 minutes.
- DO NOT proceed with operation unless burner cycles "on/off" without delays and the flame is "stable" and not "lifting" off burner after 5 minutes of initial ignition.

Caution: If pilot goes out, be sure to wait a minimum of five minutes before relighting.

4.13 AIR SHUTTER CONTROL AND FLAME APPEARANCE

During initial installation, the air shutter opening should be checked to be certain that the shutter is set correctly at 1/8" open for natural gas and 1/2" minimum open for L.P. gas. NOTE: For altitudes above 5,000', some variations may be required.

Be sure burner and logs are properly installed. After log set has been properly installed, adjustments to the air shutter shall be made for final flame appearance. These small shutter adjustments can be made by the following procedure:

NOTE: All adjustments to the air shutter setting must be made by a qualified installer, service agency, or the gas supplier. Very small changes in shutter settings make major changes in flame appearance.

The rear burner air shutter adjustment knob is located on the left side of the gas valve. **Push the knob to close the air shutter or pull on the knob to open the air shutter.**

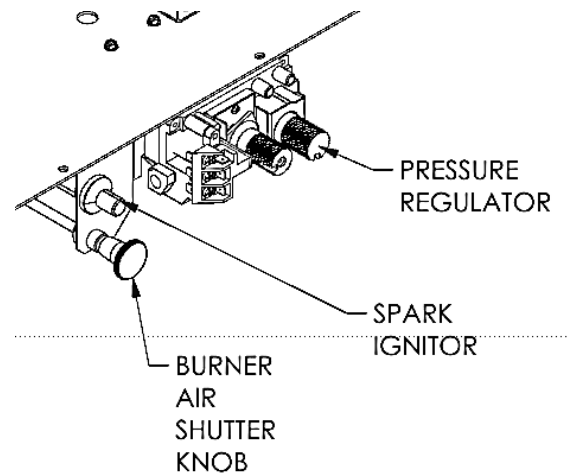
The front burner air shutter is located at the inlet end of the front burner.

This shutter is of the rotary design and is not accessible from outside. If flame is too blue, close air shutter in small 1/8" increments until flame turns desired realistic yellow. Use glass latch tool to hook end and slide control.

1. If flame is causing soot on viewing glass, open air shutter fully until sooting stops. Continue burning unit with air shutter fully open for four to six hours until all internal deposited soot has burned off.
2. Once deposited soot has disappeared, close air shutter in increments of 1/8".

LPG Air shutter settings hint: A properly adjusted air shutter setting will yield burner flames that have an approximate 2" high blue color base. If yellow-colored flames are starting at burner level, air shutter is closed too far and will create soot. If you observe that the flame is yellow starting very close to or at the burner surface level, open air shutter. Also, if a log or part of a log is suspended and hanging inside a yellow portion of the flame, soot can form easily on the part of the log that is inside the yellow flame area.

IMPORTANT: Try each new shutter setting approx. 1/2 hr. before making additional changes. NOTE: Changes in front burner flame can be made by re-arranging the coals and front burner air shutter opening.



Burner Air Shutter Controls

5 HOMEOWNER INFORMATION

Welcome to Mendota. We are proud to be the makers of world-class direct vent fireplace inserts and Fireplace inserts. We understand that a fireplace insert is a long-term investment, and we are happy you have chosen us to be a part of your family. We are committed to quality and satisfaction for all Mendota owners. Thank you for choosing a Mendota to be a source of comfort and beauty in your home.

We have designed this manual to help you enjoy all that your Mendota Fireplace insert has to offer. You will find tips, operating instructions, and frequently asked questions to support the features and functions of your Fireplace insert.

We want you to enjoy your Mendota for years to come. If you have any additional questions regarding operation of your Fireplace insert, please contact your Mendota local dealer.

5.1 AESTHETIC CONSIDERATIONS

Burning or static fireplace inserts are a major aesthetic focus in any room. In addition to offering the most realistic log details, textures, coloration and the most realistic wood fire options, Mendota also offers a large array of internal firebox lining options and external decorative options. Visit www.mendotahearth.com and your local Mendota dealer's show room to view all options available.

5.2 HEATING PERFORMANCE

Mendota's high heat output Fireplace insert will heat a large area of your home. Air movement options for maximizing heat circulation that can be considered are operating the Fireplace insert's convection blowers, continuous operation of central heating furnace blowers or room ceiling fans. The heat output of the fireplace insert can be reduced by reducing flame height. Blowers can be turned down or turned off to reduce heat distribution.

5.3 IMPORTANT INFORMATION FOR HOMEOWNER

Before you begin operation of your Gas Fireplace insert Heater, read, and familiarize yourself with information provided in the following chapters of this manual:

[Mendota Fireplace insert Curing Instructions](#)

[Normal Surface Temperatures](#)

5.4 FIRST TIME LIGHTING INSTRUCTIONS

5.4.1 Safety Information

Warning: If you do not follow these instructions exactly, a fire or explosion may result causing property damage, personal injury, and loss of life.

WHAT TO DO IF YOU SMELL GAS

Do not light any appliance.

Do not touch any light switch

Do not use any phone in your building.

Call your gas supplier from a neighbor's phone.

Follow the provider representative's instructions.

If you cannot reach your gas supplier, call the fire department for assistance.

5.4.2 LIGHTING INSTRUCTIONS

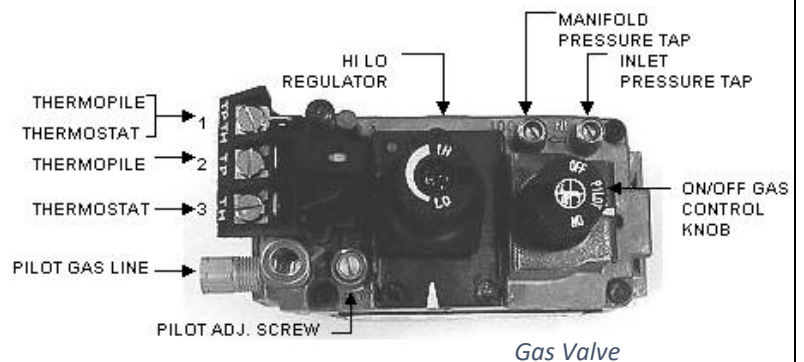
IMPORTANT: Be sure all items on "INSTALLATION CHECK OFF LIST" (pg. 39) have been completed!

CAUTION: If the pilot goes out, be sure to wait a minimum of five minutes before relighting.

BE SURE TO ALWAYS REMOVE THE GLASS BEFORE RELIGHTING THE PILOT.

ALWAYS LIGHT PILOT WITH GLASS REMOVED!

- 1 Make sure any gas supply shut-off cocks are open and Thermostat is "OFF".
- 2 Push in Gas Cock Dial Slightly and turn clockwise to "OFF". NOTE: Dial cannot be turned from "PILOT" to "OFF" unless dial is pushed slightly. DO NOT FORCE!
- 3 Wait five (5) minutes to allow gas, which may have accumulated in main burner compartment to escape. If you smell gas, STOP.
- 4 Turn Gas Cock Dial Counterclockwise to "PILOT" position.
- 5 Depress Gas Cock Dial and push in red Piezo igniter button. Once pilot ignites, continue depressing dial for about 1/2 minute. If pilot does not remain ignited, repeat operation allowing a longer period before releasing Gas Dial. IMPORTANT: After pilot is lit, system millivolt readings and gas pressure should be taken by qualified installer. Pilot flame must register a minimum of 325 millivolt.
- 6 After pilot is lit and before installing logs, turn Gas Dial to "ON" and "cycle" the burner on/off to make certain it ignites promptly and that the flame runs smoothly around burner curve and promptly lights entire burner.
- 7 With pilot operating, install log module and coals (see pg. 34-38). With logs/coals in place, "cycle" the burner again to make sure of prompt ignition of burner and that the flame runs smoothly around entire burner and does not "lift off" burner. NOTE: Logs will produce a strong, acrid odor on initial contact with flames (about 2 hrs.).
- 8 Reinstall glass front & screen.
- 9 Turn Gas Dial counterclockwise to "ON" then set Thermostat or other control system (depending the control system installed) to turn on burner.



Main burner should now light IMMEDIATELY, and flame should not "lift" off burner. If there is any delay in ignition or if flame is "lifting off" burner, turn off burner and carefully check for proper installation of logs/coals, vent system and proper pilot flame impingement on burner and thermopile. Logs or coals must not block pilot flame or main burner flame. Vent system must be leak proof.

DO NOT PROCEED WITH OPERATION UNLESS BURNER "CYCLES" ON/OFF WITHOUT DELAYS!

- 10 To reduce heat output, turn Hi/Lo Knob counterclockwise to desired temperature (see Gas Valve). Blower speed can also be turned down to reduce heat distribution.

NEVER "over fire" by increasing BTUH above Serial Number Plate specifications.

NEVER turn down (reduce) pilot flame below the minimum 325 millivolts.

11 Open windows for first two hours of operation.

NOTICE: Initial start-up will cause some NON-TOXIC "off gassing" of adhesives, binders, paint, etc. Most nuisance odors will be eliminated after the first 2 hrs. of operation, however, slight amounts may be present during the first 24 hrs.

5.5 TO TURN OFF GAS TO FIREPLACE INSERT

1. Turn "OFF" the wall thermostat or timer control device. Pilot will remain lit for return to normal service.
2. For complete shutdown turn Gas Cock Dial to "OFF".
3. Turn off the internal manual shutoff valve in the appliance.

FREQUENTLY ASKED QUESTIONS

5.5.1 What to do if I smell gas?

If you smell gas:


- Do not light any appliance.
- Do not touch any light switches.
- Do not use any phone in your building.
- Call your gas supplier from a neighbor's phone.
- Follow the provider representative's instructions.
- If you cannot reach your gas supplier, call the fire department for assistance.

5.5.2 Where can I find the model and serial numbers?

When requesting service, you will be asked to provide the **model number** and **serial number** to your Mendota dealer. This information will expedite the warranty verification process. The Listing Label contains the model number and serial number for your particular appliance.

This is an example of your listing label:

Listing label location: The listing label is located in the gas valve chamber, below the glass door. It is attached to a cable and can be pulled out to be viewed.



MENDOTA[®]

NORTH AMERICA'S LUXURY FIREPLACE



Intertek
W/N 02726

DIRECT VENT GAS FIREPLACE HEATER
(POELE AU GAZ HOMOLOGUÉ, À AÉRATION DIRECTE)
NOT FOR USE WITH SOLID FUEL
(NE DOIT PAS ÊTRE UTILISÉ AVEC UN COMBUSTIBLE SOLIDE)

MANUFACTURED BY (FABRIQUÉ PAR):
JOHNSON GAS APPLIANCE CO. HIAWATHA, IOWA
CERTIFIED FOR CANADA (HOMOLOGUE POUR LE CANADA)
CERTIFIED TO (CERTIFIÉ) ANSI Z21.88-2019(R2024)
CATEGORY II APPLIANCE

⚠ DANGER



HOT GLASS WILL CAUSE BURNS.
DO NOT TOUCH GLASS UNTIL COOLED.
NEVER ALLOW CHILDREN TO TOUCH GLASS.

VITRE CHAUDE - RISQUE DE BRÛLURES.
NE TOUCHEZ PAS UNE VITRE NON REFRIGIÉE.
NE LAISSEZ JAMAIS UN ENFANT TOUCHER LA VITRE.

A barrier designed to reduce the risk of burns from the hot viewing glass is provided with this appliance and must be installed for the protection of children and other at-risk individuals.
L'écran pare-étincelles fourni avec ce foyer réduit le risque de brûlure en cas de contact accidentel avec la vitre chaude et doit être installé pour la protection des enfants et des personnes à risques.

Refer to the Intertek Directory of Building Products (<https://bpdirectory.intertek.com>) for detailed information.
Consultez l'Intertek Directory of Building Products (<https://bpdirectory.intertek.com>) pour des informations

WARNING: IMPROPER INSTALLATION, ADJUSTMENT, ALTERATION, SERVICE OR MAINTENANCE CAN CAUSE PROPERTY DAMAGE, PERSONAL INJURY, OR LOSS OF LIFE. REFER TO THE OWNER'S INFORMATION MANUAL PROVIDED WITH THIS APPLIANCE. INSTALLATION AND SERVICE MUST BE PERFORMED BY A QUALIFIED INSTALLER. THIS VENTED GAS APPLIANCE IS NOT FOR USE WITH AIR FILTERS. FOR USE ONLY WITH GLASS BARRIER Part no. AA-11-02040
MISE EN GARDE: INSTALLATION, RÉGLAGE, MODIFICATION, ENTRETIEN OU DÉPANNAGE NON APPROPRIÉS POURRONT CAUSER DES BLESSURES OU DES DOMMAGES MATÉRIELS. RÉFÉREZ-VOUS AU MANUEL DU PROPRIÉTAIRE FOURNI AVEC CET APPAREIL. POUR ASSISTANCE OU RENSEIGNEMENTS COMPLÉMENTAIRES, VEUILLEZ CONSULTER UN INSTALLATEUR EXPÉRIMENTÉ, UNE AGENCE DÉ DÉPANNAGE/ENTRETIEN OU COTRE COMPAGNIE GAZIÈRE, POUR UTILISATION AVEC LES PORTES EN VERRE CERTIFIÉE L'APPAREIL SEULEMENT. NE PAS OPÉRER AVEC LE VERRIÈRE ENLEVER, CRAQUELURE, BRISÉ.
WARNING: DO NOT OPERATE THE APPLIANCE WITH GLASS FRONT REMOVED, CRACKED OR BROKEN. REPLACEMENT OF THE PANEL(S) SHOULD BE DONE BY A LICENSED OR QUALIFIED SERVICE PERSON. FOR USE WITH GLASS DOORS CERTIFIED WITH THE APPLIANCE ONLY.
AVERTISSEMENT: NE PAS UTILISER L'APPAREIL SI LE PANNEAU FRONTAL EN VERRE N'EST PAS EN PLACE, EST CRAQUÉ OU BRISÉ. CONFIEZ LE REMPLACEMENT DU PANNEAU À UN TECHNICIEN AGRÉÉ. SEULES DES PORTES CERTIFIÉES POUR CET APPAREIL DOIVENT ÊTRE UTILISÉES

	<input type="checkbox"/> NATURAL GAS (GAS DE PÉTROLE)	<input type="checkbox"/> LP GAS (GAZ NATUREL LIQUÉFIÉ (GPL))
INPUT RATING (BTR/HR) 0-2000ft (0-610m) (ENTRÉE NOMINALE)	30,000	29,000
MIN. INPUT RATING (BTU/HR) 0-2000ft (0-610m) (MINIMALE ENTRÉE NOMINALE)	19,900	16,200
ORIFICE 0-2000ft (0-610m) (PAN/LEFT/RIGHT)	#35	#52
ORIFICE 2000-4500ft (610-1370m) (PAN/LEFT/RIGHT)	#36	#53
INPUT RATING (BTU/HR) 2000-4500ft (610-1370m)	29,111	28,140
MAXIMUM OUTPUT (BTU/HR) (SORTIE MAXIMALE)	23,300	23,100
MANIFOLD PRESSURE (in. w.c./kPa) (PRESSION AU COLLECTEUR)	3.5 (0.87)	10.0 (2.5)
MANIFOLD PRESSURE, LOW (in. w.c./kPa) (PRESSION AU COLLECTEUR MINIMALE)	1.6 (0.4)	6.4 (1.64)
MINIMUM INLET PRESSURE (in. w.c./kPa) (PRESSION D'ENTRÉE MINIMALE)	5.0 (1.24)	11.0 (2.74)

THIS APPLIANCE IS ONLY FOR USE WITH THE TYPE OF GAS INDICATED ON THE RATING PLATE AND MAY BE INSTALLED IN AN AFTERMARKET, PERMANENTLY LOCATED, MANUFACTURED HOME (USA ONLY) OR MOBILE HOME, WHERE NOT PROHIBITED BY LOCAL CODES. SEE OWNER'S MANUAL FOR DETAILS. THIS APPLIANCE IS NOT CONVERTIBLE FOR USE WITH OTHER GASES, UNLESS A CERTIFIED KIT IS USED.
 CET APPAREIL DOIT ÊTRE UTILISÉ UNIQUEMENT AVEC LE TYPE DE GAZ INDIQUÉ SUR LA PLAQUE SIGNALÉTIQUE. CET APPAREIL PEUT ÊTRE INSTALLÉ DANS UNE MAISON PRÉFABRIQUÉE OU MOBILE (É.-U. SEULEMENT) INSTALLÉE À DEMEURE SI LES RÈGLEMENTS LOCAUX LE PERMETTENT. VOIR LA NOTICE DE L'UTILISATEUR POUR PLUS DE RENSEIGNEMENTS. CET APPAREIL NE PEUT PAS ÊTRE UTILISÉ AVEC D'AUTRES GAZ SAUF SI UNE TROUSSE DE CONVERSION CERTIFIÉE EST FOURNIE.

UNIT TO SIDEWALL	16in. (406 mm)	8" MANTLE ABOVE DISCHARGE AIR OPENING	12in. (305 mm)
------------------	----------------	---------------------------------------	----------------

CAUTION: HOT WHILE IN OPERATION. DO NOT TOUCH. KEEP CHILDREN, CLOTHING, FURNITURE, AND FLAMMABLE LIQUIDS OR VAPORS AWAY. KEEP GASOLINE AND OTHER LIQUIDS HAVING FLAMMABLE VAPORS AWAY.
 ATTENTION: L'APPAREIL EST CHAUD LORSQU'IL FONCTIONNE. NE PAS TOUCHER L'APPAREIL. SURVEILLER LES ENFANTS. GARDER

ELECTRICAL RATING (COURANT NOMINAL):	120 VOLTS	60 HERTZ	LESS THAN 1.5 AMPERES
--------------------------------------	-----------	----------	-----------------------

DO NOT REMOVE OR COVER THIS LABEL
VEUILLEZ A NE JAMES ENLEVER NI DISSIMULER CETTE ÉTIQUETTE

MODEL: D30

SN: 0398-

Listing Label

5.5.3 Can I use my Fireplace during power outages?

This ignition system utilizes thermocouple and thermopile power for pilot and burner ignition functions. AC power is utilized for blower function only. If the AC power is interrupted during a power outage, you may operate this fireplace insert.

During the power outage, the appliance's burners will function. In addition, Flame Height adjustment function will be available. The Fan, which is wholly dependent on 110VAC power, will not function.

5.5.4 What maintenance is required?

5.5.4.1 Required Annual Maintenance

The following procedures must be performed each year by a qualified installer, service agency or the gas supplier.

Note: Any adjustments to burner, pilot or logs must be done by a qualified installer, service agency or the gas supplier.

Recommended steps for yearly maintenance:

1. Clean all lint and dust build-up around the control. Inspect the condition of any wiring under the burner for melting or damage.
2. Clean pilot thermocouple, thermopile and sparker rod using emery cloth. Vacuum clean pilot light assembly.
3. Visual check of pilot flames is required. Pilot flame must overlap thermocouple tip and burner ignition ports always. Especially for LP gas applications, always verify visible pilot flame length is at least 1" long.
4. Vacuum all burner ports. Be sure the burner ports are "open".
5. Visual check of main burner's rear and front flames is required.
6. Remove logs and coals and clean away any foreign matter (lint, carbon, etc.) on the burner and logs.
7. Clean under side of the logs for any carbon deposits. Note: Logs should be visually checked for carbon buildup. If carbon deposits are visible on logs, unit should be turned off and a qualified installer, service agency or the gas supplier contacted. Be sure logs are re-installed per instructions.
8. Check condition of glass door gasket, gasket must seal tightly over firebox. Inspect gasket along top and sides of glass. If gasket bulb along top edge or side top areas are discolored to a white color appearance (through the whole thickness of the gasket bulb in a 3" to 12" long area) and the gasket adhesive is no longer functional to stick to glass, then replace the gasket.
9. Visually inspect the vent terminal (vent cap) for leaves, twigs, and other debris accumulation. Clean if required.
10. Clean door glass.

5.5.4.2 Periodic Inspection

Follow these steps for periodic inspections:

1. Check to verify that the vent system and vent cap are open and free of blockage.
2. Before re-installing glass, have qualified service person check the operation of the pilot and cycle the burner per lighting instructions. Be sure all items in lighting and installation checklists are completed.
3. Periodic visual check of pilot flames is required. Pilot flame must overlap thermocouple tip and burner ignition ports always. Especially for LP gas applications, always verify visible pilot flame length is at least 1" long.
4. Periodic visual check of main burner's rear and front flames is required.

5.5.5 How do I clean the viewing glass?

The viewing glass should be cleaned periodically. Exterior glass surface may be cleaned with cleaner as desired. To clean interior glass surface, use Kel Kem Polish Plus (part # 65-06-00455) or a comparable product. **Caution: Do not** use oven cleaner to clean glass. **Clean the glass only when it has cooled to room temperature.**

Additives that are put in gas (both natural and propane) to make it smell can be harmful to glass and can leave a white film deposit on the glass. This deposit can be removed, if cleaned in a timely manner, with cleaners such as KEL KEM "Polish Plus" (part # 65-06-00455) or comparable product (contact your dealer).

5.5.6 Is my flame performance correct?

Your fireplace insert has air shutters, dampers, coals, and embers that can be adjusted depending on your fuel and venting configuration. These adjustments should be made by a qualified technician to achieve the best flame performance. Contact your installer or Mendota dealer if you feel your fireplace insert is not burning correctly. Improper setup and adjustment is not covered under warranty.

5.5.7 What should I do if my fireplace insert is sooting?

Sooting is caused by improper installation or air shutter operation. However, some small areas of soot deposits on log surfaces are deemed acceptable. If you observe large soot areas (larger than 1"x1") on log surfaces or signs of sooting on the door glass (usually a thin black film on the Fireplace insert viewing glass or on the outside of the home around the vent cap), the unit must be immediately turned off and the local Mendota dealer promptly informed. Mendota dealers will correct "sooting" problems, but Mendota and their dealers are not responsible for damage caused by excessive sooting that has not been immediately brought to their attention. Troubleshooting soot:

Issue: Thin black coating (soot) forms on viewing glass.	Possible Causes: A. Burner Air Shutter closed too much. B. Improper log and/or ember placement C. Glass door seal is compromised. D. Incorrect gas pressure or burner orifice size.	Corrective Action: Open air shutter on burner fully. Check glass gasket for proper seal. Corners of glass gaskets cannot be bulging out. If glass gasket along top edge in the middle is white in color across entire thickness of gasket bulb and gasket adhesive is not functional, replace glass gasket. If sooting continues, shut off unit and call Mendota service person. Have service person check for proper Orifice Sizes and correct gas outlet pressure (3.5" W.C. Nat. Gas; 10" W.C. LP Gas). NOTE: To clean glass - remove glass and wipe glass with cloth or paper towel.
--------------------------------------------------------------------	--------------------------------------------------------------------------------------------------------------------------------------------------------------------------------------------------------	--------------------------------------------------------------------------------------------------------------------------------------------------------------------------------------------------------------------------------------------------------------------------------------------------------------------------------------------------------------------------------------------------------------------------------------------------------------------------------------------------------------------------------------------------------------------------------------------------------------

After completing these steps, contact your Mendota dealer if fireplace insert will not turn on.

5.5.8 What happens when I first light my fireplace?

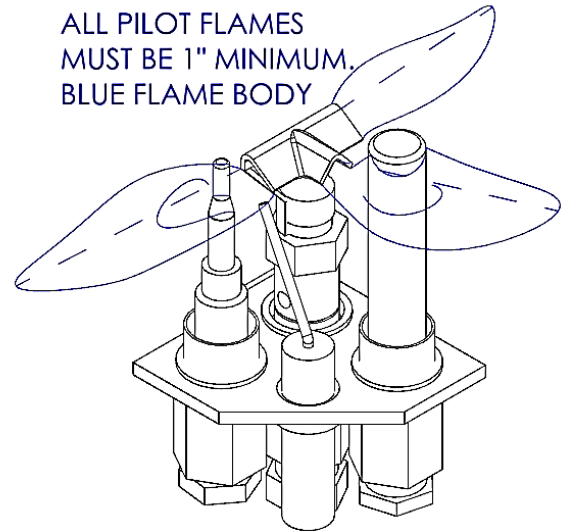
When you first light your fireplace insert, the initial curing phase is initiated. During the initial curing phase, a small amount of smoke and odor will be emitted. This is normal. To complete the curing process, run your fireplace insert, on high fire, for two hours with the fans on level 3. Open doors and windows to dissipate any odor. Turn your fireplace insert off. After it has cooled, run it again, on high fire, with the blowers off until no smoking or odor remains. Refer to [Mendota Fireplace insert Curing Instructions](#) for more information.

6 MAINTENANCE INFORMATION

6.1 REQUIRED PERIODIC INSPECTIONS

1. Check to verify that the vent system and vent cap are open and free of blockage.
2. Have qualified service person check the operation of the pilot light. Pilot light must light within the first five to eight seconds of ignitor sparks initiation. If it takes more ten seconds to ignite the pilot flame, check pilot spark rod position and ignitor wires for pinched areas or damaged areas.
3. Periodic visual check of pilot flames is required. Pilot Flame must overlap thermocouple tip and burner ignition ports always. Especially for LPG applications, always verify visible pilot flame length is at least 1" long, minimum.
4. Cycle the burners to make certain burner ignition is prompt and flame propagation along burner length is quick and smooth. If flame propagation is delayed, remove obstructing debris, vacuum burner ports, and retry.
5. Periodic visual check of rear and front burner flames pattern is required.

ALL PILOT FLAMES
MUST BE 1" MINIMUM.
BLUE FLAME BODY



Pilot Flame Lengths

6.2 CLEANING VIEWING GLASS

WARNING: Do not clean when glass is hot.

The viewing glass should be cleaned periodically. Exterior glass surface may be cleaned with cleaner as desired. To clean Interior glass surface, remove glass frame assembly. Use Kel Kem "polish plus" (part # 65-06-00455) or comparable product to clean glass interior surface. Do not use oven cleaner or abrasive cleaners to clean glass.

6.3 REQUIRED ANNUAL MAINTENANCE

See [What maintenance is required?](#)

In addition to the "Required Periodic Inspections", the following procedures must be performed each year by a qualified installer, service agency or the gas supplier. Any adjustments to burner, pilot or logs must be done by a qualified installer, service agency, or the gas supplier.

Clean all lint and dust build-up around the gas valve and blowers. Inspect the condition of any wiring for melting or damage. Clean thermocouple and thermopile tips using emery cloth. Vacuum all burner ports and pilot assembly. Remove logs & coals and clean away any foreign matter (lint, Carbon, etc.) on the burner and logs. Be sure the burner ports are "open". Clean the pilot and under side of the logs for any Carbon deposits.

NOTE: Logs should be visually checked for Carbon "build-up". If heavy carbon deposits are visible on logs, unit should be turned off and a qualified installer, service agency, or the gas supplier should be contacted. Be sure logs are re-installed per instructions.

Check glass gasket seal. Visually inspect glass gasket, especially at the corners of the glass piece. Glass gasket is installed as a 4-piece assembly. Check joints between the gasket pieces at the corners. They should butt against each other to create a seal. Gaps between gasket pieces can cause exhaust leaks and lead to acrid smell concerns.

6.4 OVER FIRING OR UNDER FIRING OF BURNER

NEVER "over fire" or "under-fire" units by increasing or decreasing the main orifice sizes or by adjusting gas pressure to increase BTUH above nameplate specifications.

Over firing can cause permanent damage to firebox and deterioration of parts and void the warranty.

Under-firing can potentially cause delayed ignition and lead to property loss and person injury and will void the warranty.

If you are using a "backyard" Natural Gas well as the gas source, you must submit formal gas analysis data sheets to Mendota Fireplace inserts for review and calculation of proper main burner orifice sizes prior to first firing. It is known that unpurified Natural Gas from "backyard" wells can contain high energy levels causing over firing. Further, unpurified gas can contain high levels of Sulphur and other compounds which can damage the burner materials and the ceramic glass. Use of unpurified gas will void the warranty for this product.

6.5 PILOT OUTAGE AND RE-LIGHTING

If pilot goes out, be sure to wait a minimum of five minutes before attempting to re-light. If lockout occurs frequently, contact you Mendota Dealer for diagnosing the problem.

Frequent lockout can be caused by many factors and must be properly diagnosed, and the primary cause identified. It should never be assumed that the ignition control system is faulty without proper diagnosis.

6.6 BURNER FLAME HEIGHTS REFERENCE DIAGRAM



Burner Flame Heights: This image provides a visual reference for the burner flames burning at maximum height after the burners have been operating for 30 minutes or longer. A normal rear flame will be 1 to 2 inches above the rear log top edge. This, however, is dependent on the gas type, air shutter opening setting and vent system configuration. Actual flame heights can be slightly higher or lower when compared to this reference image.

6.7 REPLACEMENT PARTS INFORMATION

6.7.1 How to Access Components

The descriptions below show where the main fireplace inserts components are located and how to access them for service. The descriptions show how to access the components after the fireplace insert has been installed.

Pilot: The pilot light is located on the left side inside the firebox.

Gas Valve: The main gas valve is located behind the lower grill and beneath the firebox.

Complete Valve Assembly: To make working on components easier, this fireplace insert has been designed with the valve, pilot, shutter boxes, shutter cables and gas lines as part of one assembly that can be removed from the fireplace insert. To remove the assembly first remove burners and burner airbox. After disconnecting the gas line and wires, below the firebox, remove hex nuts that secure the valve mounting plate to firebox floor. Lift up and remove the entire assembly from the firebox.

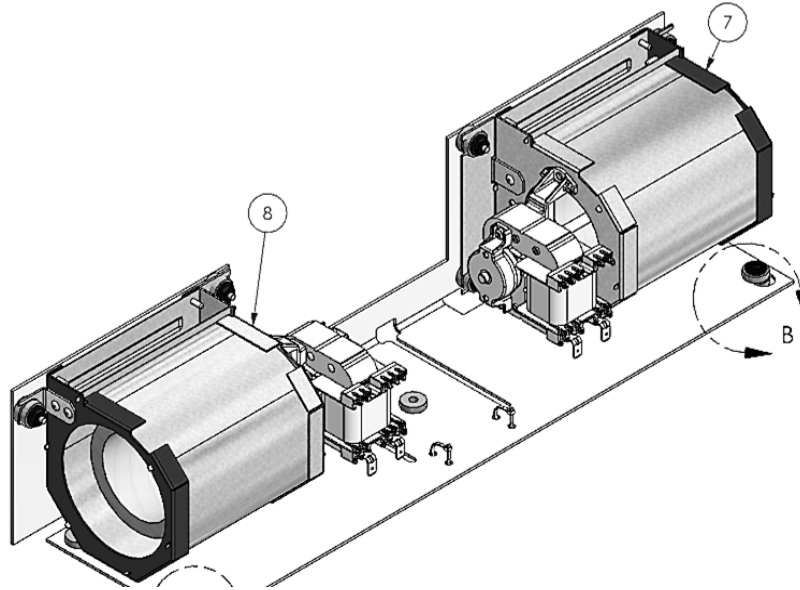
Convection Blowers: The convection blowers are mounted in the space below the firebox, behind the gas valve. To access the convection blowers, remove the Valve Assembly first.

6.7.2 General Replacement Parts List

PART NO	DESCRIPTION	PART NO	DESCRIPTION
HA-27-00073	DOOR GASKET	05-04-00035	PILOT ASSEMBLY. NAT. GAS
65-06-00449	GLASS, D30	HA-28-00283	LP KIT
HA-28-00040	DOOR FRAME ASSEMBLY, D30	65-14-00052	ORIFICE (LPG) #52
35-01-00240	COALS 12 OZ BAG	10-10-00104	ON/OFF SWITCH
35-01-00239	GLOWING INSWOOL	65-14-00035	ORIFICE (NAT. GAS) 35"
35-01-00296	LOG SET, D30	65-06-00149	PIEZO IGNITER
05-02-00306	SIT VALVE NAT. GAS	15-02-00120	R H BLOWER WITH MOTOR
05-07-00067	THERMOCOUPLE	15-02-00121	L H BLOWER WITH MOTOR
05-07-00061	THERMOPILE	65-06-01049	BLACK PAINT - 12 OZ. SPRAY CAN
10-01-00046	BLOWER RHEOSTAT	65-06-00455	KEL-KEM GLASS CLEANER/POLISH
05-07-00084	LPG Heavy Duty Thermocouple		

6.7.3 Convection Air Blower System Parts

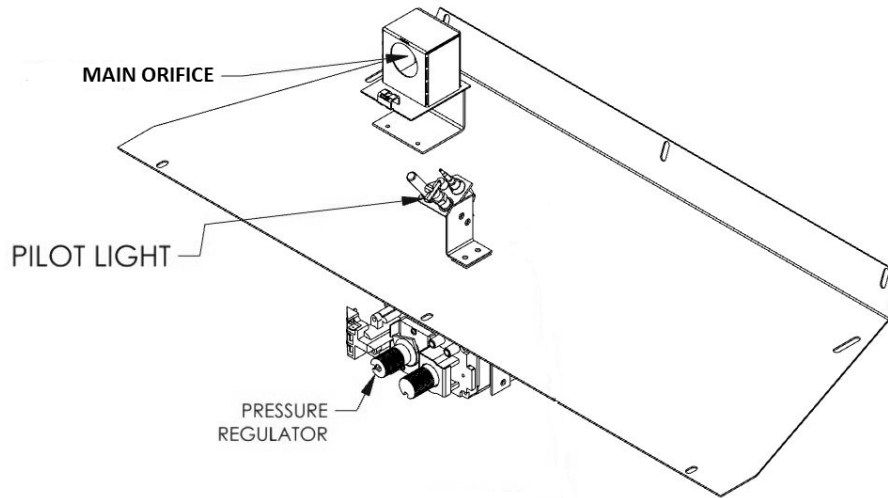
Item 1	15-02-00120	BLOWER, RH
Item 2	15-02-00121	BLOWER, LH



D30 DEEP TIMBER BLOWER ASSEMBLIES

6.7.4 Valve Assembly Replacement Parts

Item 1	65-14-00035	NG Orifice, #35
Item 2	65-14-00052	LPG Orifice, #52
Item 2	05-04-00035	Pilot Assembly, 3-way hood
Item 3	65-06-01064:1	Spark Ignitor
Item 4	05-02-00313	Main Gas Valve



Valve Assembly Replacement Parts

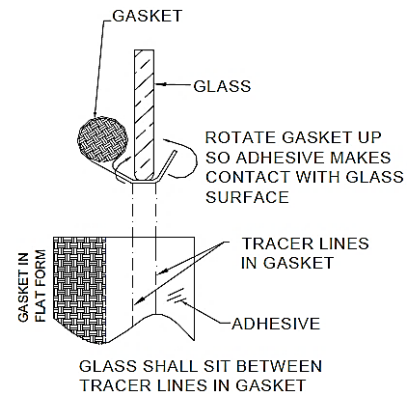
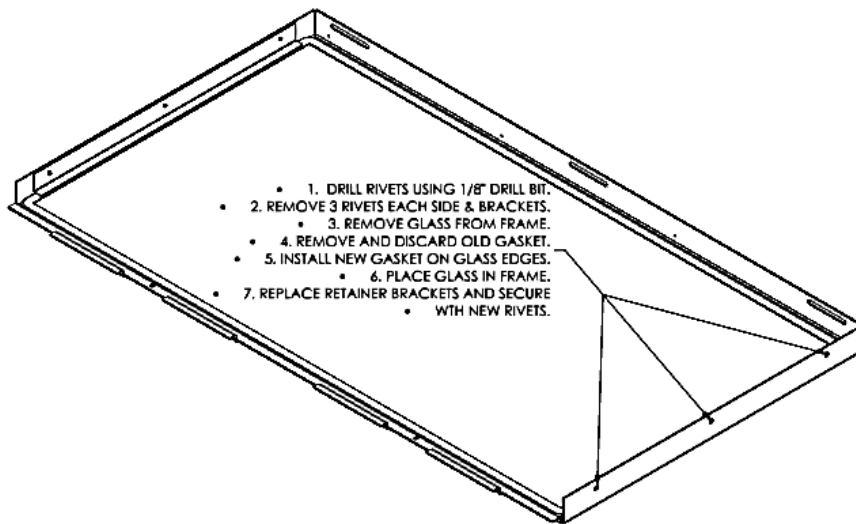
6.7.5 Glass Frame Parts Replacement Procedure

WARNING: do not use substitute materials. All replacement materials must be certified and obtained through Mendota fireplace inserts.

TO REPLACE DAMAGED GLASS

1. DRILL RIVETS USING 1/8" DRILL BIT.
2. REMOVE 3 RIVETS EACH SIDE & BRACKETS.
3. REMOVE GLASS FROM FRAME.
4. REMOVE AND DISCARD OLD GASKET.
5. INSTALL NEW GASKET ON GLASS EDGES.
6. PLACE GLASS IN FRAME.
7. REPLACE RETAINER BRACKETS AND SECURE WITH NEW RIVETS

The glass frame assembly and its individual components are available through Johnson Gas Appliance Company. Contact your dealer for more detailed ordering information.



GLASS FRAME ASSEMBLY (HA-28-00040)		
REPLACEMENT PARTS LIST		
ITEM	PART NUMBER	DESCRIPTION
1	65-06-00449	GLASS
2	HA-27-00145	DOOR FRAME
3	65-02-00103	DOOR GASKET

7 WARRANTY QUALIFICATION AND SERVICE

The following information verifies proper installation and operation of your Mendota fireplace. All installation and operating instructions must be carefully followed. This Mendota fireplace must be installed according to all manufacturers' instructions as per the manual. Only dealer sanctioned and approved installers can install and/or service Mendota hearth appliances and parts. Repairs conducted by an unqualified technician will void this warranty. Proper permits and inspections are required to validate any future warranty claims. Mendota retail partners are 100% responsible for the installation and service of any Mendota appliance, or part thereof, that they sell within Mendota polices. The Mendota retail partners must also facilitate the execution of any warranty related items for the Mendota appliances and parts that they sell, in perpetuity.

7.1 FINAL INSTALLATION AND HOMEOWNER CHECKLIST

- INSERTS ONLY: The existing woodburning fireplace and its chimney system are structurally sound, professionally cleaned, intact and remain woodburning capable (inserts only).
- INSERTS ONLY: If fireplace was re-faced, does the re-facing conform to the guidelines found in this manual regarding the re-facing of woodburning units?
- INSERTS ONLY: Woodburning chimney interior and chimney top cap are inspected and repaired or replaced if damaged.
- No offensive odor emitting materials exist around appliance such as low temp rated adhesives, plastics or others.
- All surrounding finishing materials are conforming to manual requirements.
- Electrical power supply system conforms to NEC and local electrical codes.
- Gas supply must conform to national and local building codes.
- All gas line joints were checked for leaks using gas leak detector solution or a gas sniffer, or were pressure tested if required by local building code.
- All internal gas plumbing joints were checked for leaks using gas leak detector solution or a gas sniffer.
- Glass gasket was inspected and verified that it is sealing properly.
- Gas supply line was bled of air and pilot flame was ignited.
- Pilot flame overlaps burner flame propagation ports properly.
- Burners light and flames travel promptly along entire length of burner.
- Logs/media are installed properly per installation instructions.
- Burner(s) air shutter is adjusted properly. Shutter opening set properly per installation manual.
- Burner flames are "stable" and are not "lifting" off burner.
- Inform owner that an initial curing step is required. Read and follow Mendota Fireplace and Insert Curing Instructions (found on unit and in owner's manual). Smoke will emit during initial curing step.
- Provide owner with contents of owner's manual packet.
 - Owner's manuals, remote control transmitter, glass latch tool, backup battery system, etc.
- Train owner how to remove and reinstall decorative front.
- Train owner how to remove and properly reinstall glass door.
- Inform owner about the glass safety screen barrier requirement.
- Educate owner on remote control functions (ProFlame units only)
 - How to put fireplace in CPI & back into IPI. CPI is suggested during cold season for ease of operation of fireplace
 - How to light the pilot light.
 - How to light the main burners and how to adjust the flame level.
 - How to turn the fan on and adjust fan speed.
 - How to turn on accent light and adjust brightness of light.
 - How to turn the rear burner on and off.
 - Explain the 3 thermostatic modes of operations:
 - OFF / Manual operation
 - ON / Fireplace turns ON and OFF to maintain the set temperature.
 - Fan delayed 5 minutes in ON and runs 12 minutes after.
 - SMART / Fireplace adjusts the flame level to maintain the set temperature.
 - Fan delayed 5 minutes in ON and runs 12 minutes after.
- Train owner about lockout mode and how to reset it.
- Train owner how to use backup battery system and operate appliance during power outage.
- Train owner about master switch location and emergency shutoff function.
- Train owner how to operate manual shutoff gas valve using glass latch tool.
- Inform owner that periodic maintenance of this unit is required per manual.

WARNING: MENDOTA GAS FIREPLACES ARE HEAT PRODUCING APPLIANCES. KEEP CHILDREN AND FURNITURE A SAFE DISTANCE AWAY TO PREVENT PROPERTY DAMAGE, PERSONAL INJURY OR LOSS OF LIFE.

I have trained and informed homeowner of all the requirements listed above.

Staff Name _____

Staff Signature Date _____

Homeowner's Name _____

Homeowner's Signature Date _____

7.2 WARRANTY POLICY STATEMENT

Mendota Fireplace, a division of Johnson Gas Appliance Company, extends this limited lifetime warranty to the original purchaser of this appliance provided the product remains in the original place of installation. The items covered by this limited warranty and the period of such coverage is set forth in the table below. Some conditions apply (see below). The policy is not transferable, amendable or negotiable under any circumstances. The warranty starts from the date of invoice from Mendota to the installing dealer and only applies to new units sold through an authorized Mendota dealer. In the case of new construction, warranty coverage begins on the date of certificate of occupancy of the dwelling or six months after invoice of the final sale of the product from the Mendota dealer, whichever occurs earlier. However the warranty coverage shall begin no later than 24 months following the date of product shipment from Mendota, regardless of purchase date.

MENDOTA WARRANTY BENEFITS					
Description	Parts Coverage				Labor Coverage (Years)
	Lifetime	3 years	2 years	90 days	
Firebox and Heat Exchanger	X				5
Stainless Steel Burner Tubes/Ceramic Burners	X				2
All Castings	X				2
Valve Assembly and all gas control components (Pilot Assembly, Orifices, Thermocouple, Thermopile)		X			2
All other Electrical Components (Ignition Control Boards, Wiring, Switches, Blowers, Blower Control Module, Battery Pack)		X			2
Venting/Venting Components		X			1
Glass (Breakage From Thermal Shock)			X		1
Exterior Painted Finishes			X		1
Exterior Plated Finishes			X		1
Brick Panels and Log Sets (coloration failures only)			X		1
All Firebox Media (Glass Beads, Ceramic Stones, Tumbled Marble)			X		1
All hardware			X		1
Mesh/Glass Safety Barriers			X		1
Glass Panels			X		1
Enamel Panels			X		1
Remote Control Systems				X	0
Accent Light Bulbs				X	0

X = Mendota Standard Warranty

****Labor credits do not include travel time/mileage and are covered at a subsidized rate, see #4 below for additional details.**

****Parts credits do not include freight.**

7.2.1 Conditions

1. Warranty protects against defect in manufacture or Mendota factory assembled components only, unless herein specified otherwise. Warranty does not cover water damage or odors caused by water or environmental factors.
2. It remains the full responsibility of the owner to operate this appliance within the guidelines provided in the Installation and Operating Instructions Manual accompanying this appliance. Further, the owner shall bear full responsibility to enforce clearances to combustibles requirements and cautioning others about hot glass surface and hot metal surfaces.
3. Owner by operating this appliance accepts that this is a heat producing appliance which has glass and steel parts that are hot enough to cause severe burns. Owner accepts that this appliance requires close monitoring of children and vulnerable individuals who are in the vicinity of this appliance when it is in operation. Mendota does not assume or accept any liability claims for burns or other physical or material damages resulting from touching hot glass surface and hot metal surfaces that are part of this appliance or other adjacent object such as hearth pads and mantels that may heat up during operation of this appliance.
4. Any part(s) found to be defective during the warranty period as outlined above will be repaired or replaced at Mendota's option through an accredited distributor, dealer or pre-approved and assigned agent provided that the defective part is returned to the distributor, dealer or agent for inspection if requested by Mendota. Alternatively, Mendota may at its own discretion fully discharge all of its obligations under the warranty by refunding the verified purchase price of the product to the original purchaser. The purchase price must be confirmed by the original Bill of Sale.
5. The authorized selling dealer, or an alternative authorized Mendota dealer if pre-approved by Mendota, is responsible for all infield diagnosis and service work related to all warranty claims. Mendota is not responsible for results or costs of workmanship of unauthorized Mendota dealers or agents in the negligence of their service work.
6. At all times Mendota reserves the right to inspect reported complaints on location in the field claimed to be defective prior to processing or authorizing of any claim. Failure to allow this upon request will void the warranty.
7. All warranty claims must be submitted by the dealer servicing the claim, including a copy of the Bill of Sale (proof of purchase by you). All claims must be complete and provide full details as requested by Mendota to receive consideration for evaluation. Incomplete claims may be rejected. Unit must be installed according to all manufacturers' instructions as per the manual by a Mendota authorized dealer, an authorized dealer technician or an authorized dealer service person only.
8. All Local and National required codes must be met.
9. The installer is responsible to ensure the unit is operating as designed at the time of installation.
10. The original purchaser is responsible for annual maintenance of the unit, as outlined in the owner's manual. As outlined below, the warranty may be voided due to problems caused by lack of maintenance.
11. Repair/replacement parts purchased by the consumer from your local Mendota Dealer after the original coverage has expired on the unit will carry a 90-day warranty, valid with a receipt only. Any item shown to be defective will be repaired or replaced at our discretion. No labor coverage is included with these parts. Parts requested to be drop shipped direct to the consumer will nullify this warranty.

7.2.2 Exclusions

1. This limited warranty does not extend to paint, rust or corrosion of any kind due to a lack of maintenance or improper venting, combustion air provision, corrosive chemicals (i.e. chlorine, salt, air, etc.), door or glass gasketing.
2. Discoloration and some minor warping are normal, not a defect and therefore not covered under this warranty. The installer must ensure the unit is burning as per the rating tag at the time of installation. Over-firing (operation above the listed BTU rating of this unit can cause serious damage and will nullify this warranty.
3. Mendota will not cover the cost of the removal or re-installation of hearths, facing, mantels or other components.
4. The first service call is at the expense of the Retailer/Installing Dealer, Labor Credit is NOT allowed for normal dealer services. This includes but is not limited to; flame adjustment, venting, log placement or replacement, pilot adjustment, gas leaks, remote controls, light bulb replacement, multiple trips to diagnose and order parts, or annual maintenance, back-order delays, freight costs, mileage, etc. Claims MUST be submitted within 15 days of service and MUST be accompanied by a copy of the Mendota invoice (for the warrantied part) for parts credit or to issue an RMA. All labor rates paid to authorized dealers are subsidized rates. Dealers may charge homeowner for travel and additional time beyond their subsidy.
5. Damages to plated surfaces caused by fingerprints, scratches, melted item or other external sources left on plated surfaces from the use of cleaners other than denatured alcohol is not covered by this warranty. Wipe off any fingerprints prior to using fireplace for the first time to ensure oils from the hands don't etch into plated/finished surface.

6. Mendota is free of liability for any damages caused by the appliance, as well as inconvenience expenses and materials. Incidental or consequential damages are not covered by this warranty.
7. Exclusions to this warranty include: injury, loss of use, damage, failure to function due to accident, negligence, misuse, improper installation, alteration of the manufacturer's setting of components, lack of proper and regular maintenance, damage incurred while the appliance is in transit, or by act of God.
8. Malfunction, damage or performance based issues of any and all components as a result of environmental conditions, location, chemical damages, downdrafts, installation error, installation by an unqualified installer, incorrect chimney components (including but not limited to cap size or type), operator error, abuse, misuse, use of improper fuels, lack of regular maintenance and upkeep, acts of God, weather related problems from hurricanes, tornados, earthquakes, floods, lightning strikes/bolts or acts of terrorism or war, which result in malfunction of the appliance are not covered under the terms of this Limited Lifetime Warranty.
9. Mendota has no obligation to enhance or modify any unit once manufactured (i.e. as products evolve, field modifications or upgrades will not be performed on existing appliances).
10. Any unit showing signs of neglect or misuse will not be covered under the terms of this warranty policy and may void this warranty. This includes units with rusted or corroded fireboxes or water damaged units.
11. Units which show evidence of being operated while damaged, or with problems known to the purchaser and causing further damages will void this warranty.
12. Units where the serial no. has been altered, deleted, removed or made illegible will void this warranty.
13. Noises due to minor movement, expansion and contraction of the steel is normal and is not covered under the terms of this warranty.
14. Freight damages for products or parts are not covered under the terms of the warranty. Please refer to our Freight Damage Policy and follow proper procedures at the time of delivery from Mendota. NOTE: all units should be thoroughly inspected at the time of delivery from freight carrier and reported within 48 hours (does not guarantee claim will be paid). Failure to report damages after 48 hours results in automatic claim denial through the freight carrier and dealer/consumer will be responsible for purchasing replacements.
15. Products made or provided by other manufacturers and used in conjunction with the Mendota appliance without prior authorization from Mendota may void this warranty.

7.2.3 Limitations of Liability

The original purchaser's exclusive remedy under this warranty, and Mendota's sole obligation under this warranty, express or implied, in contract or in tort, shall be limited to replacement, repair, or refund, as outlined above. In no event will Mendota be liable under this warranty for any incidental or consequential commercial damages or damages to property. To the extent permitted by applicable law, Mendota makes no express warranties other than the warranty specified herein. The duration of any implied warranty is limited to the duration of the expressed warranty specified above. If implied warranties cannot be disclaimed, then such warranties are limited in duration to the duration of this warranty.

Some U.S. states do not allow limitations on how long an implied warranty lasts or allow exclusion or limitation of incidental or consequential damages, so the above limitations or exclusions may not apply to you. Customers located outside the U.S. should consult their local, provincial or national legal codes for additional terms which may be applicable to this warranty.

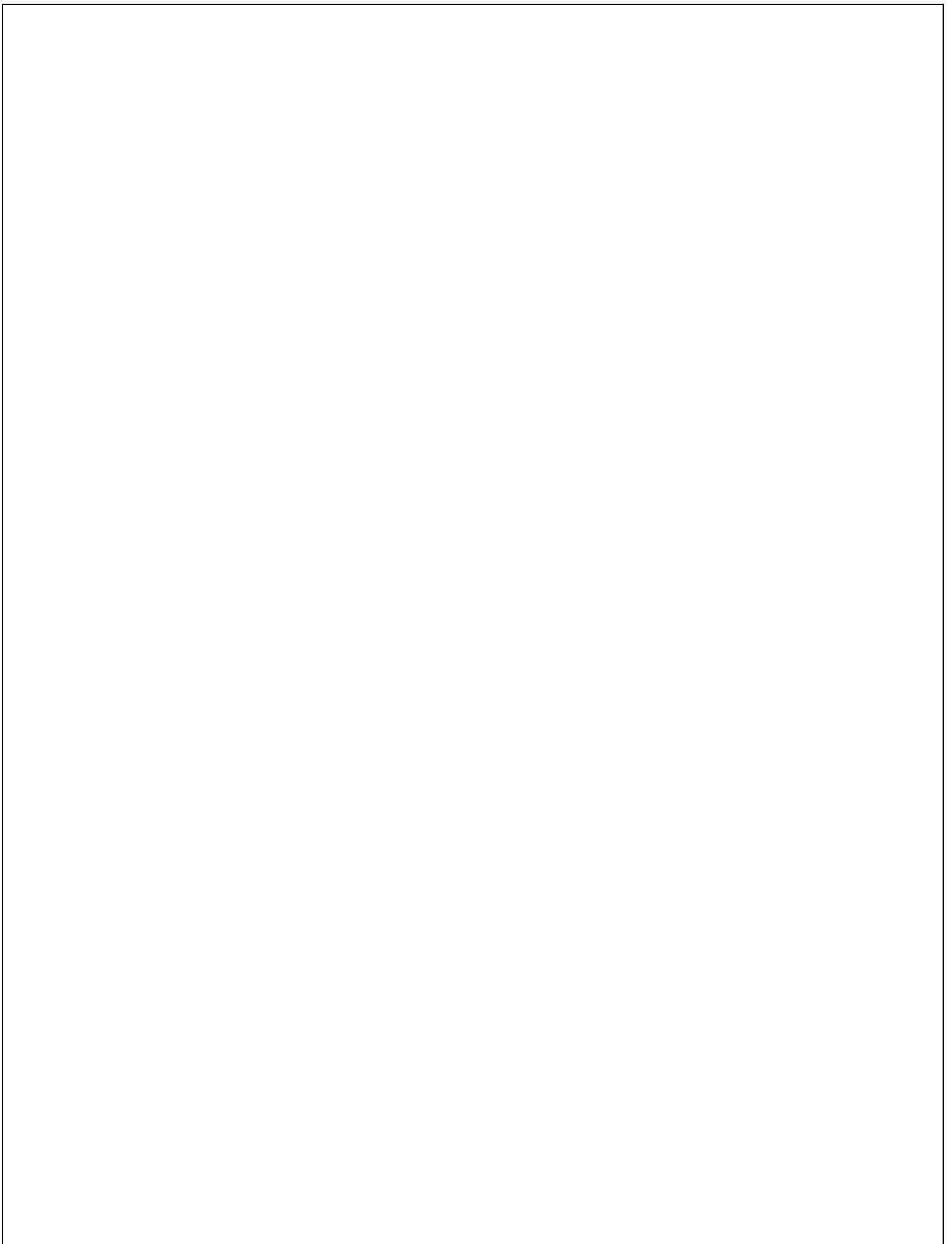
7.2.4 How to Obtain Warranty Service

If you discover a problem that you believe to be covered by the warranty, you must report it to your Mendota Dealer within 30 days, with proof of purchase, purchase date, model name and serial number.

Customers should contact the authorized selling dealer to obtain warranty service. In the event the authorized selling dealer is unable to provide warranty service, please contact Mendota by mail at the address listed below. Please include a brief description of the problem and your address, email and telephone contact information. A representative will contact you to make arrangements for an inspection and/or warranty service.

Warrantor:

Johnson Gas Appliance Company
Mendota Fireplace Division
1155 Sherman Rd., Hiawatha, IA 52233



MENDOTA

NORTH AMERICA'S LUXURY FIREPLACE

MENDOTAHEARTH.COM

1155 Sherman Rd, Hiawatha, IA 52233

(800)553-5422